



Dispensing Equipment



Dispensers, Valves & Pumps



Dispensers	2-25
Benchtop Dispensers	2-6
Tube, Cartridge & Bottle Dispensers	7-11
Foot Dispensers	12
Vacuum Pick-up systems	13
Peristaltic Pump Dispenser	14-15
Cartridge & Caulking Guns	16-18
Barrel Filling	19
Reservoir Tanks	20
Dispensing Pens	21
Manual Dispensing Accessories	22
Hand Dispensers	23
Dispensing Stands	24
Accessories & Fittings	25
Valves	26-49
Selection Guide	26
Valve Controllers	27-28
Precision Dispense Valves	29-40
Positive Displacement Metering Valves	41-44
Positive Displacement Screw Valve Controller	45
Positive Displacement Screw Valves	46-47
Spray Valves & Controller	48-49
Pumps	50-57
Introduction	50
Autocan Extruder	51
1qt. & 1gal. Extruder	52
Medium Pressure 5gal. Pump	53
High Pressure 5gal. Pump	54
Cartridge Pump	55
Dual Cartridge Pump	56
High Pressure Fluid Hose	57

JB113N

Pneumatic General Purpose Dispenser

Dispensers

A popular analog dispenser series featuring dual 110/220V operation. An all-purpose dispenser, versatile and easy to use in a few simple steps – hook up the barrel adapter assembly (selection included) - connect the air and power - set the timer - load the barrel with material - set the air regulator – press the foot switch and start dispensing.

Suitable for all types of fluids, includes a suck-back feature to ensure low viscosity liquids do not drip. Timing interval from 0.01 to 31 seconds.



Features

- Dispense timer
- Wide range of applications
- Barrel suck-back ensures no dripping
- Low-cost system with high reliability

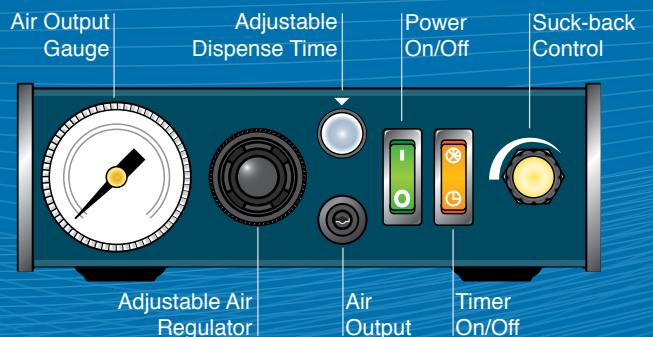
Model

JB113N

Dispenser 110/220V CE

Specifications

Size:	8.63" x 8.50" x 2.63" (21.92 x 21.59 x 6.68 cm)
Dispense time:	0.01 - 31 seconds
Cycle:	Momentary with time or continuously maintained
Voltage:	100 - 240 VAC 50/60Hz
Internal voltage:	24 VDC
Air input:	70 to 100 psi (5 to 7 bar)
Air output:	1-100 psi (0.1 - 7 bar)
Standards:	CE approved, RoHS Compliant
Weight:	3.5 lbs (1.59 kg)



DSP501N

Dispenser & 3-Way Valve Controller

Featuring a larger internal air solenoid recommended for operations that require an immediate and fast reaction for de-pressurization. Examples include: Collapsible toothpaste-type tube, caulking, cartridge reservoirs, valves and rotary-table operations. The higher volume exhaust prevents post compression of materials contained in tubes, avoiding stringing.

Suitable for all types of fluids, includes a suck-back feature to ensure low viscosity liquids do not drip. Timing interval from 0.01 to 31 seconds.



Model

DSP501N

Dispenser 110/220V CE

Features

Dispense timer

3-way valve controller

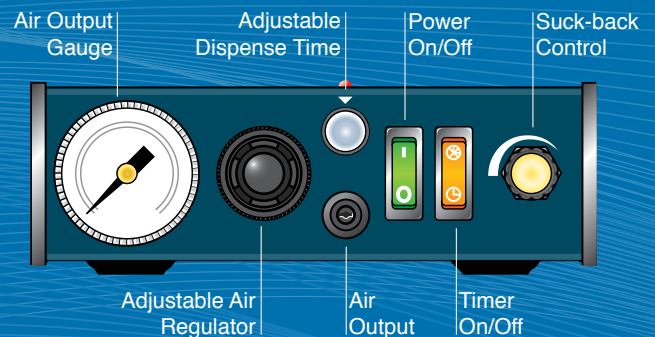
Suitable for tube dispensing

Barrel suck-back ensures no dripping

Large solenoid air exhaust

Specifications

Size:	8.63" x 8.50" x 2.63" (21.92 x 21.59 x 6.68 cm)
Dispense time:	0.01 - 31 seconds
Cycle:	Momentary with time or continuously maintained
Voltage:	100 - 240 VAC 50/60Hz
Internal voltage:	24 VDC
Air input:	70 to 100 psi (5 to 7 bar)
Air output:	1-100 psi (0.1 - 7 bar)
Standards:	CE Approved, RoHS Compliant
Weight:	4 lbs 2 ozs (1.87 kg)



DSP502N

Dispenser with Suck-back Gauge

The DSP502N includes an analog gauge to provide a visual indication of the level of suck-back measured in psi. The unit's larger internal air solenoid is recommended for operations that require an immediate high volume air exhaust, such as collapsible toothpaste-type tube, caulking, cartridge reservoirs, valves and rotary table operations. A higher volume exhaust helps prevent drooling of materials contained in tubes.



Features

- Dispense timer
- Suitable for tube dispensing
- Barrel suck-back ensures no dripping
- Large solenoid air exhaust
- Vacuum suck-back display

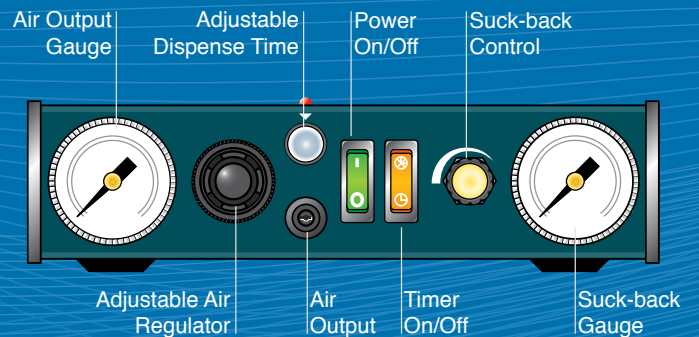
Model

DSP502N

Dispenser 110/220V CE

Specifications

Size:	10.50" x 8.25" x 2.63" (26.67 x 20.95 x 6.68 cm)
Dispense time:	0.01 - 31 seconds
Cycle:	Momentary with time or continuously maintained
Voltage:	100 - 240 VAC 50/60Hz
Internal voltage:	24 VDC
Air input:	70 to 100 psi (5 to 7 bar)
Air output:	1-100 psi (0.1 - 7 bar)
Standards:	CE Approved, RoHS Compliant
Weight:	4.25 lbs (1.93 kg)



SL101N

Digital Dispenser

An automatic digital dispenser with a bright LCD display and “teach & learn” process programming. Up to 9 independent dispensing programs may be stored for fast recall.

The SL101N has three modes of operation. The first is autocycling, which operates by sequencing a self-taught cycle of events including a dispense time together with a wait or pause condition between the cycles. This feature enables the SL101N to be used as a stand-alone semi-automated dispensing system. Manual-mode enables a dispense operation to be manually controlled by a foot pedal, and Timed-mode dispenses at a pre-set time.



Model

SL101N

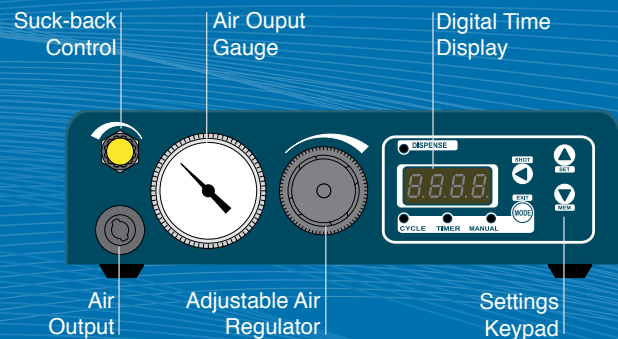
Digital dispenser 110/220V CE

Features

- Digitally controlled program
- Easy to use touch sensitive controls
- Suck-back ensures no dripping
- Suitable for a wide range of dispensing
- Stores up to 9 dispensing routines

Specifications

Size:	8.63" x 8.50" x 2.63" (21.92 x 21.59 x 6.68 cm)
Dispense time:	0.01 - 9999 seconds
Operation Modes:	Manual, Timed, Cycle
Voltage:	100 - 240 VAC 50/60Hz
Internal memory:	9 dispensing program locations
Air input:	70 to 100 psi (5 to 7 bar)
Air output:	1-100 psi (0.1 - 7 bar)
Standards:	CE Approved, RoHS Compliant
Weight:	3.5 lbs (1.59 kg)



VC1195N

4-Way Valve Controller

The VC1195N is a 4-way valve controller that can be used to control one or two valves simultaneously. The controller is suitable for 790HP-LF, 700RV, 800RV, VBP117, VDP305, VDP100, HPN200, HP600S, HP600L, VDP150, VMS400, VMP30H, VP300, and MV-0180LF valves.

The valve controller provides a continuous “valve-off” state and remains in this mode until a signal is received to switch to “valve-on” mode. This instruction can derive from a remote robotic device or by the foot switch provided. When the timer is off, the valve will remain in “valve-on” state as long as the footswitch is pressed or to allow a robot to control the operation. When the timer is selected, a momentary pulse will activate the timer to open the valve for a programmed period and then close the valve automatically.

The VC1195N will deliver accurate and repeatable dots or beads for any application.



Features

- Simultaneous control of two valves
- Timing interval from 0.01 – 31 seconds
- Fast response internal pneumatic solenoid

Model

VC1195N Controller 110/220V CE

Specifications

Size:	10.50" x 8.25" x 2.75" (26.67 x 20.95 x 6.98cm)
Dispense time:	0.01-31 seconds
Cycle initiation:	Momentary or continuous
Voltage:	100 - 240 VAC 50/60Hz
Internal voltage:	24 vdc
Air input:	70 to 100 psi (5 to 7 bar)
Air output:	1-100 psi (0.1 - 7 bar)
Weight:	4 lbs. 3 oz. (1.90 kg)

Valves

790HP-LF	HP600L
VDP150	700RV
VMS400	800RV
VMP30H	VBP117
VP300	VDP305
MV-0180LF	VDP100
HP600S	HPN200

Parts

560033-LF	Power Cord 110V
560033E-LF	Power Cord 220V
560033E-PLUG-LF	Power Cord with plug 220V
560752	Input air hose with accessories
560027D	Foot pedal and cord
560524	Air hoses x2

Autotube Dispenser

Collapsible Tube Dispenser

The Autotube system was designed to dispense liquids, pastes, greases, silicones and similar liquids directly from the manufacturer's "collapsible" tube. The previous method of hand-squeezing the material out of the tube created many problems such as:

- Transfer of the material was messy and wasteful.
- Air bubbles were introduced during transfer.
- Contamination was introduced during transfer.

With the Autotube method all one has to do is to attach an "adapter" to the material tube, then drop the tube in a cartridge reservoir and you're ready to start dispensing. Dispensing can be controlled by either a foot valve or timed dispenser DSP501N for a controlled shot. The Autotube assembly can be hand held or mounted on a stand.



Models

- ATD100C Autotube dispenser 6 oz (100 gm tube)
- ATD200C Autotube dispenser 8 oz (200 gm tube)
- DSP501N dispenser 110/220V CE

* Recommend first time users supply tube sample.

Gun Handle *(Optional)*

- 560600 gun handle only
- 560599 switch assembly only
- 560598 gun handle & switch assembly

Features

- Eliminates waste
- Avoids material contamination
- Improves operator safety
- Prevents tube damage

DSP501N Specifications *(Not Included)*

Size:	8.63" x 8.50" x 2.63" (21.92 x 21.59 x 6.68cm)
Dispense time:	0.01 - 31 seconds
Cycle:	Momentary with time or continuously maintained
Voltage:	100 - 240 VAC 50/60Hz
Internal voltage:	24 VDC
Air input:	70 to 100 psi (5 to 7 bar)
Air output:	1-100 psi (0.1 - 7 bar)
Standards:	CE Approved, RoHS Compliant
Weight:	4 lbs 2 ozs (1.87 kg)

Standard Accessories *(Included)*

Part#	Description	ATD100C	ATD200C
5601357	connecting hose	X	X
560062A	6oz. cartridge	X	
560517A	8oz. cartridge		X
5601380	6oz. cartridge retainer	X	
5601381	8oz. cartridge retainer		X
5601376	retaining cap	X	X
560545	tip adapter	X	X
880001-A	adapter "A"	X	X
880001-B	adapter "B"	X	X
880001-C	adapter "C"	X	X
880001-D	adapter "D"	X	X
880001-Blank	adapter blank	X	X
560516A	1/10 gal. cartridge		
580091H-A	1/10 gal. retainer & cap		

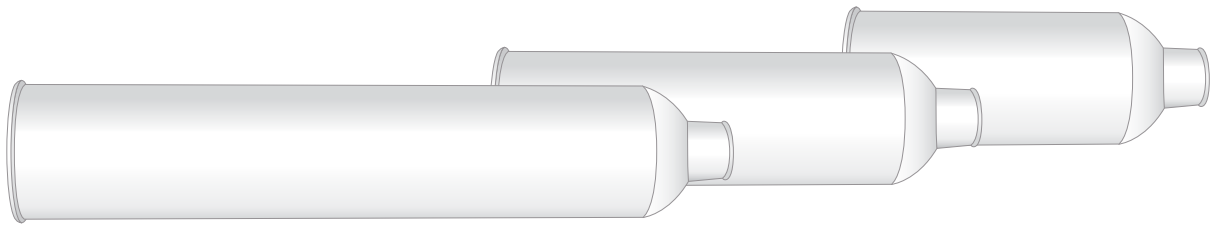
Cartridges

Cartridges & Accessories

Cartridges

Cartridges are available in 2.5, 6, 8, 12 and 20 ounce as well as 1/10 gallon capacities. Each size can be used with hand held or bench mounted air powered dispensing tools or manual dispensing tools. Cartridges are molded in either standard or low density Polyethylene.

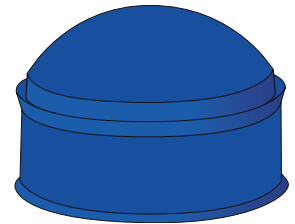
Capacity	Length (inch)	Length (mm)	Diameter (inch)	Diameter (mm)	Natural LDPE (Qty. 10 pcs)	Natural HDPE (Qty. 10 pcs)	Black HDPE (Qty. 10 pcs)
2.5 oz. (74ml)	4.00	101.60	1.59	40.40	5601358	5601364	5601370
6 oz. (177ml)	7.11	180.60	1.59	40.40	5601359	5601365	5601371
8 oz. (237ml)	8.92	226.60	1.59	40.40	5601360	5601366	5601372
12 oz. (355ml)	12.34	313.40	1.59	40.40	5601361	5601367	5601373
1/10 gal. (310ml)	8.99	228.30	1.85	47.00	5601362	5601368	5601374
20 oz. (591ml)	10.03	254.80	2.57	65.30		5601369	5601375



Plungers

Plungers assist in the prevention of tunneling with viscous fluids and provide even pressure.

Part Number (Qty. 10 pcs)	Color	Description / Material
5601354	Blue	2.5,6,8,12 oz. wiper, LDPE
5601355	White	1/10 gallon wiper, LDPE
5601356	Natural	20 oz. wiper, LDPE
5601439	Black	2.5,6,8,12 oz. UV blocking wiper, LDPE

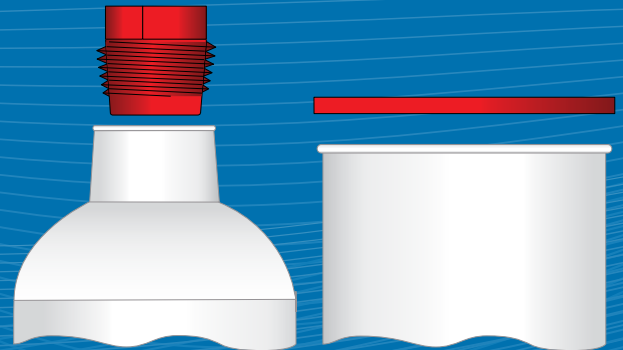


Cartridge Caps

Top flange caps seal the wide brim of the cartridge and bottom caps seal the dispensing or tip end of the cartridge.

Part Number (Qty. 10 pcs)	Color	Description / Material
5601383	Red	2.5,6,8,12 oz. flange cap, LDPE
5601388	Red	Threaded tip cap, PE
5601389	Red	Push on red tip cap, PE

LD = low density, PE = polyethylene

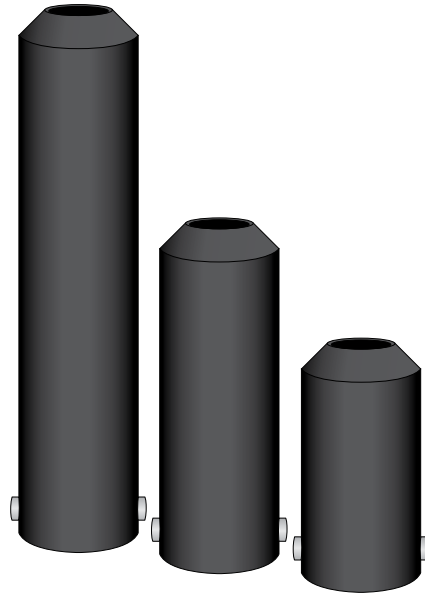


Cartridge Retainers

Metal Retainers and Accessories

Metal Cartridge Retainers

Heavy gauge drawn metal retainers to accommodate all cartridges.
Requires retainer cap.

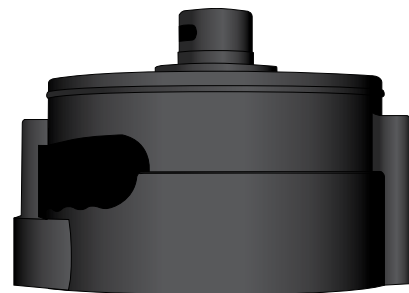


Part Number (Qty. 1)	Cartridge Size / Description
5601379*	2.5 oz. (74ml)
5601380*	6 oz. (177ml)
5601381*	8 oz. (237ml)
5601382*	12 oz. (355ml)
5601417	20 oz. (591ml) requires 5601418
5601418	Adapter - required for 20 oz retainer
5605008*	1/10 Gal. (310ml) retainer with cap

*Slotted cartridge retainer

Retainer Cap

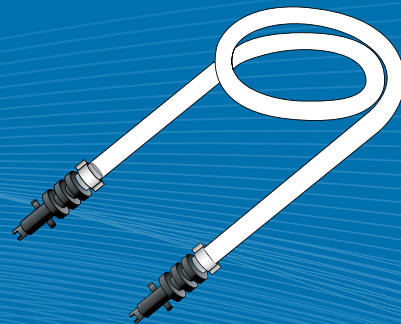
Retainer caps provide a secure lock of the cartridge and metal retainer.
Supplied with a female quick connect and sealing ring. One size fits all.
Except 5601417, 5601418 & 5605008.
Maximum Pressure 103psi (7bar)



Part Number (Qty. 1)	Cartridge Size / Description
5601376	Retainer cap with seal ring
5601377	Retainer cap with regulator gauge
5601378	Sealing ring only
5601429	Retainer Cap for 5601418

Connecting Hose

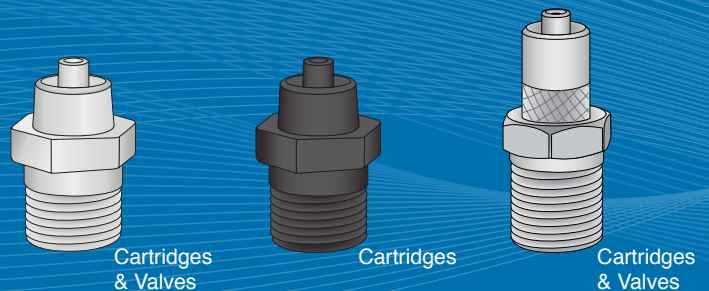
A 5ft (152cm) hose to connect a retainer cap and dispenser.
Includes a male quick connect each end.



Part Number (Qty. 1)	Description
5601357	Connecting hose 5ft. (152cm.)

Tip Adapters

Part Number (Qty. 3 pcs)	Description (includes PTFE tape)
5601390	Tip adapter white polypropylene
5601449	Tip adapter black polypropylene
5601420	Tip adapter metal



PP300-GL-A

Clear Pressure Chamber

A clear glass pressure chamber for dispensing low viscosity liquids directly from bottles and up to 1lb. jars. Regulated air pressure forces the liquid in the bottle up through a disposable tube to a connector, which can be interfaced to a valve or dispensing pen. The PP300-GL-A is ideal for control of hazardous materials, such as solvents and cyanoacrylates.



PP300-GL-A, 710PT-LF, DSP501N - pinch-tube valve system

A combination of a 710PT-LF pinch-tube valve mounted to the PP300-GL-A and controlled via a DSP501N dispenser can accurately and safely apply microshots of low viscosity liquids. All parts in contact with the material are disposable.

PP300-GL-A, 700PTPCW - Manual pinch-tube pen system

The 700PTPCW dispensing pen when used with the PP300-GL-A provides flexibility in applying continuous lines or dots. An on/off lever controls the amount of material delivered.

Features

- All material contact parts are disposable
- Material is visible without opening chamber
- Suitable for most low viscosity liquids

Models

PP300-GL-A	Pressure chamber glass
710PT-LF	Pinch tube valve
560605	Clamp for pinch tube valve
560606	Support rod for pinch tube valve
DSP501N	Dispenser 110/220V CE
700PTPCW	Pinch tube pen

Specifications

Size:	6.00" x 6.00" x 11.00" (15.24 x 15.24 x 27.94cm)
Air input:	to regulator 70 to 100 psi (5 to 7 bar)
Air output:	from regulator max 30psi (2 bar)
Weight:	9.25 lbs. (4.20 kg)
Disposables:	Lines and fittings are polyethylene

PP300-GL-A Parts (included)

Part #	Description
560607	dispense tube 0.070"ID
560608*	dispense tube 0.100"ID
560609	luer lock fitting 0.070"ID
560610*	luer lock fitting 0.100"ID
560611	gauge 0-30 psi
560612	knob assembly
560612B	bushing
560613	clamp for tube
560614	reducer nipple
560615V	O-ring (viton)
560616	relief valve
560618	reservoir glass (PP300-GL-A)
560620	dip tube
560571	regulator 0-25 psi
560792	flat seal
580108	quick connect 1/4" MPT

* included upon request

Engineered to specifically address the waste and discomfort that result from dispensing materials in collapsible tubes. A comfortable, balanced design that safely protects the tube from damage and the operator from contamination. These features eliminate waste and improve quality by avoiding the introduction of air bubbles when transferring material, thus reducing the possibility of particulate contamination and ensuring that the entire tube is exhausted. Regulated air supply is required.



Features

- Eliminates waste
- Avoids material contamination
- Improves operator safety
- Prevents tube damage

Model

TD101 Tube dispenser

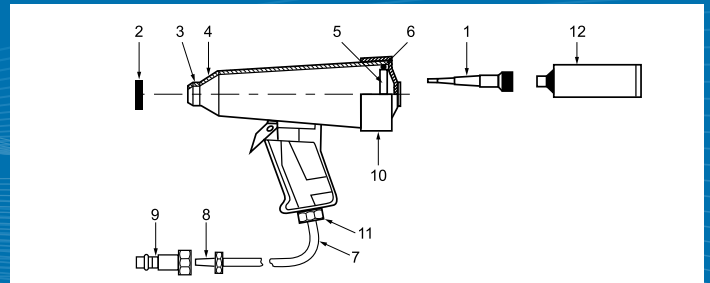
* Recommend first time users supply tube sample.

Specifications

- Size: 7.50" x 3.00" x 6.75"
(19.05 x 7.62 x 17.15cm)
- Max. tube length: 7.38" (18.74 cm) 5.5 fl oz (162 ml)
- Cycle: Trigger actuated manually timed
- Regulated Air input: Regulator (not included)
- Start pressure: recommended at 20 psi (1.38 bar)
- Max. pressure: 50 psi (3.45 bar)
- Weight: With out tube 9.6 oz. (272 gm)

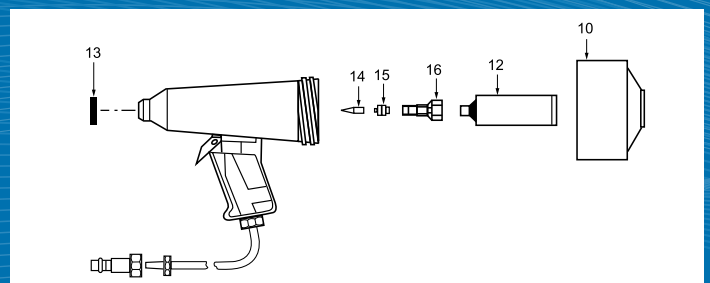
Replacement parts (included)

Item	Part #	Description	Item	Part #	Description
1	560700	nozzle	7	560705	5' hose
2	560699	nozzle nut	8	560704	hose fitting
3	560698	o-ring	9	560703	connector
4	560697	lock ring	10	560702	cap
5	560696	retaining ring	11	560701	hose barb
6	560695	seal	12	Tube	(not supplied)



Replacement parts (included)

Item	Part #	Description	Item	Part #	Description
12	Tube	(not supplied)	16	880001-KIT includes:	
13	560707	adapter nut			880001-A adapter
14	560706	tip set			880001-B adapter
15	560545	luer lock adapter			880001-C adapter



DB815

Foot Valve Dispenser

A basic air-powered system, floor mounted and foot actuated. Includes a three-way air valve and built in air regulator, ideal for non-critical dispensing operations. As long as the foot pedal is depressed, fluid will be dispensed.

The unit is suitable for all types of fluids. The model with suck-back option ensures that low viscosity liquids do not drip.



Features

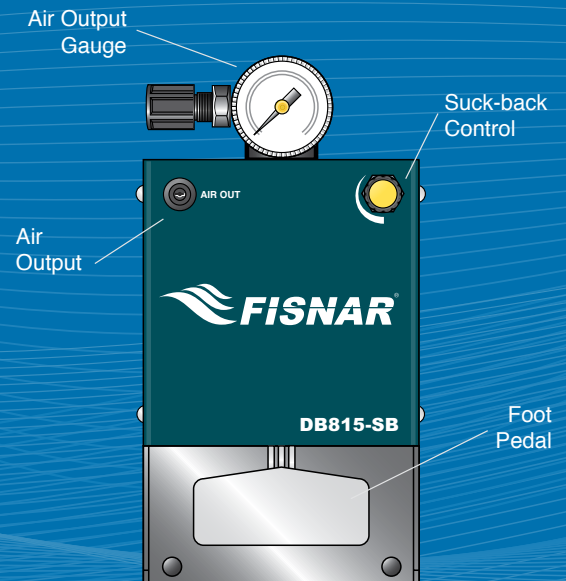
- Economical and simple to use
- Wide range of applications
- Barrel suck-back option ensures no dripping
- Heavy duty design

Model

- | | |
|----------|--------------------------|
| DB815 | Dispenser |
| DB815-SB | Dispenser with suck-back |

Specifications

Size:	DB815	4.50" x 8.50" x 4.88" (11.43 x 21.59 x 12.40cm)
	DB815-SB	4.50" x 8.50" x 5.38" (11.43 x 21.59 x 13.66cm)
Cycle:	Continuously maintained by user	
Foot Pedal:	Air valve integral in unit	
Air input:	70 to 100 psi (5 to 7 bar)	
Air output:	1-100 psi (0.1 - 7 bar)	
Weight:	DB815	3.50 lbs (1.59 kg)
	DB815-SB	3.80 lbs (1.73 kg)



Vacuum Pick-Up Systems

Vacuum Pick and Place

VPP511-LF (electric foot switch operated)



The VPP511-LF features an air solenoid electrically switched by pressing a foot pedal. This provides two advantages:

1. The vacuum is only actuated when the foot pedal is pressed.
2. The part can be released by foot pedal control, keeping the hand entirely still during the operation.

Model

VPP511-LF	vacuum pick-up unit 110V
VPPE511-LF	vacuum pick-up unit 220V
560046-NH*	vacuum pick-up pencil no hole (included)

VPP803-LF (Air only system)



For delicate handling of small parts and components, including miniature, surface mount and chip scale packages. Designed to capture the part and to place the component gently in position. Closing a small hole in the hand-piece with your finger creates the vacuum. To release, uncover the hole by removing your finger.

Model

VPP803-LF	vacuum pick-up unit
560046*	vacuum pick-up pencil (included)

Specifications

Size:	VPP511-LF	5.50" x 7.00" x 2.63" (13.97 x 17.78 x 6.68cm)
	VPP803-LF	3.75" x 7.50" x 2.62" (9.52 x 19.05 x 6.65cm)
Cycle:	VPP511-LF	Foot pedal control
	VPP803-LF	Continuous
Air input:		20 to 100 psi (1.33 to 7 bar)
Vacuum:	VPP511-LF	Vacuum gauge display
	VPP803-LF	Up to 16 in. hg
Weight:	VPP511-LF	2.5 lbs (1.14 kilos)
	VPP803-LF	12 ounces (341 gm)

Parts (* included with pencils)

Part #	Description
560047	Vacuum pad 0.140" (3.5mm) dia
560048	Vacuum pad 0.200" (5.1mm) dia
560049	Vacuum pad 0.250" (6.4mm) dia
560050	Vacuum pad 0.320" (8.1mm) dia
560051	Vacuum pad 0.400" (10.2mm) dia
560052	Vacuum tip #14 0.063" (1.60mm) dia
560053	Vacuum tip #18 0.033" (0.84mm) dia
560054	Vacuum tip #21 0.020" (0.51mm) dia

PPD-130

Peristaltic Pump Dispenser

Peristaltic pump dispensers transfer low viscosity liquids by pressure displacement applied to a turning rotor against a tube carrying material. Usually these pumps are chosen because the liquids are hazardous or difficult to work with and it is advisable to limit operator contact. Another reason is that peristaltic pumps are air free.

The model PPD-130 offers excellent features for air-free positive displacement dispensing of materials such as cyanoacrylate, solvent, alkaline and acid. Dispense outputs can be timed from 0.01 - 99.99 seconds with flow speeds from 0.01 - 6ml/min using Teflon tubing and from 0.1 - 20ml/min using silicone tubing. The pump is bidirectional allowing snuff-back after discharge to prevent dripping of the fluid.



Operation

Suitable for small shots and continuous operation

Adjustable rotor speed in volume 0 - 10

Self priming from bottle or jar

For smaller discharges at lower flow rates, Teflon tubing is used

For larger discharges at higher flow rates, silicone tubing is used

System operated by finger switch on holder or remotely from I/O connector at rear of unit

Timer display counts down for discharge

Model

PPD-130 Peristaltic Pump 110-240V 50/60Hz

Features

Air-free dispensing

Forward and reverse motion

Instant reverse for snuff-back cuts off liquid flow

Adjustable interval before reverse direction

Teflon and silicone tube options

Continuous or timer modes

Large segment digital LED display

Output signal to indicate end of dispense cycle

Clean room compatible

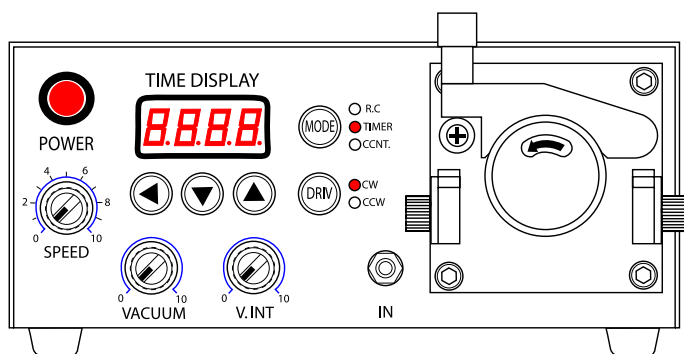
Simple load mechanism also provides easy cleaning

Accessories (included)

Part #	Qty.	Description	Part #	Qty.	Description
562030-T	1	standard rotor for standard tubes	560984P	1	hose 1 foot (304.8mm) 1.0 x 1.6mm
560989-D	1	nozzle holder (with switch)	560985P	1	hose 1 foot (304.8mm) 1.4 x 2.0mm
561010-D	1	nozzle 1.7mm diameter	560995P	1	hose 1 foot (304.8mm) 1.9 x 2.5mm
561011-D	1	nozzle 2.1mm diameter	560996A	1	hose 1 foot (304.8mm) 2.4 x 3.0mm
561012-D	1	nozzle 2.6mm diameter	562031-D	1	9-pin connector
561013-D	1	nozzle 3.5mm diameter	562032-D	1	foot pedal (optional, not included)

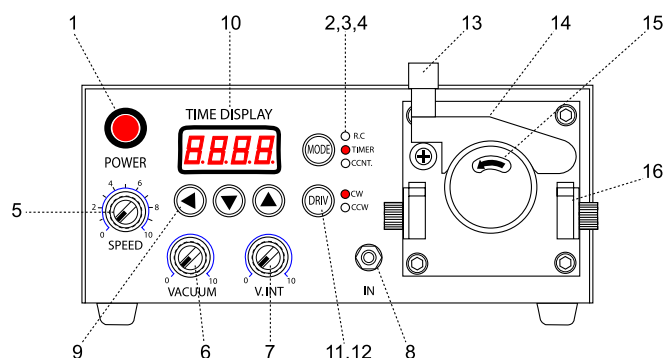
Specifications

Size:	7.18" x 3.20" x 6.73" (182.4 x 81.2 x 171mm)
Dispense time:	0.01 - 99.99 seconds
Cycle initiation:	continuous & timed
Input voltage:	110-240V, 50/60 Hz
Internal voltage:	5 VDC
Rotor speed:	up to 120 rpm (max.)
Flow speed:	0.01 - 6ml/min. (Teflon tube) 0.1 - 20ml/min. (Silicone tube)
Dispense pressure:	over 1.5Kg/cm2
Direction of pump:	both directions (Forward / Reverse)
Snuff-back:	programmable by reverse rotation
Digital display:	time count down
I/O:	connection for remote operation
Weight:	6.6lbs (3kg)



Functions

No.	Item	Function
1	Power switch	LED lamp signals that the switch is on
2	RC mode	remote control mode when operating the LED pulses
3	Timer mode	time range - up to 99 sec
4	Cont. mode	continuous operation
5	Speed adj. dial	adjusts the deposit size (0 - 10 volume)
6	Vacuum adj. dial	fluid cut off after the dispense operation
7	Vacuum interval timer	adjustable within 0 - 3 sec
8	Manual input jack	finger / foot switch plug
9	Time set button	to set fluid outlets 0.01 - 99.99 sec
10	Timer display	LED counts down
11, 12	Ccw/cw fix s/w	ccw: counterclockwise cw: clockwise
13	Guide lock	to lock a tube guide
14	tube guide	to support a tube installed in a rotor
15	Rotor head	extracts fluid from a tube
16	Tube holder	holds the tube at both ends supported by the rotor



Tubing, nozzles & optional pump heads

Pump Head	Clear Tubing	Black Tubing	I.D. x O.D.	Suitable Nozzle Type
Part #	Part #	Part #	Millimeters	Part # Millimeter
562030-T	560984P	560984BA	1.0 x 1.6	561010-D 1.7mm
	560985P	560985BA	1.4 x 2.0	561011-D 2.1mm
	560995P	560995BA	1.9 x 2.5	561012-D 2.6mm
	560996A	560996BA	2.4 x 3.0	561013-D 3.5mm
Optional Pump Heads				
562030-M	560997P	560997BA	0.25 x 0.75	
562030-S	560998A	560998BA	0.50 x 1.00	561008-D 0.9mm
	560999A	560999BA	0.60 x 1.00	
562030-G	562033		0.50 x 2.50	561012-D 2.6mm
	562034		3.00 x 5.00	

F350N

Pneumatic Cartridge Gun Dispenser

A pneumatic ergonomic gun designed for precision dispensing of sealants, potting compounds, adhesives and silicones packaged in disposable plastic cartridges. Engineered and constructed for rigorous production environments, the F350N is also quiet in operation.

The F350N series is available with retainers to suit 2.5 oz (59cc), 6 oz (156cc), 8 oz (214cc) and 12 oz (310cc) cartridges. Retainers are affixed to the gun via a quick connect secure bayonet lock feature allowing easy cartridge replacement.

A selection of different length air hoses is available and ordered separately.



Features

- Precise dispensing
- Suits all popular cartridges
- Dispense volume adjusted by regulator wheel
- Comfortable trigger operation
- Constant even pressure in cartridge
- Eliminates waste
- Quick easy removal and replacement of cartridges
- Quiet operation

Hose Assemblies (1/4" NPT)

Hose assemblies to fit the metal air fitting are available in 1.5 meter (5 foot) increments with a female 1/4" universal fitting for air supplies. Assemblies come with 1/4" tubing.

Part #	Length	Part #	Length
2890500	1.5 m (5ft)	2890200	5.9 m (20ft)
2890100	2.9 m (10ft)	2890250	7.3 m (25ft)
2890150	4.4 m (15ft)	2890300	8.9 m (30ft)

Specifications

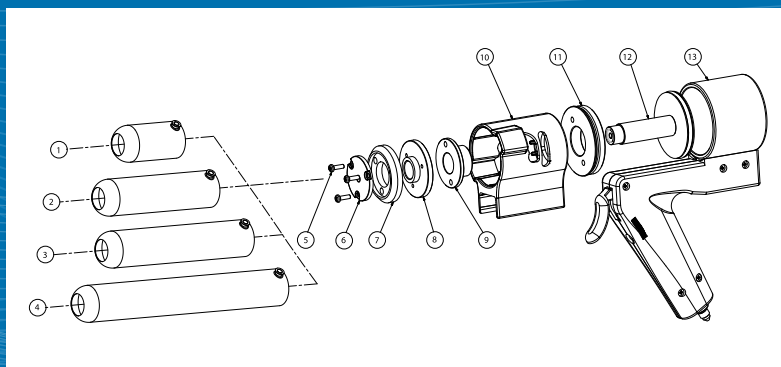
Cartridge Sizes:	2.5oz. (59cc), 6oz. (156cc), 8oz. (214cc), 12oz. (310cc)
Cycle:	Trigger actuated manually timed
Shot volume:	Red regulator wheel
Regulated air input:	(regulator not included)
Air pressure:	0-100 psi (0-6.9 bar)
Weight:	Gun only 1.11lbs (0.505 kg)

Models (complete pneumatic gun less hose)

F351N	gun only - no retainer
F352N	gun & retainer 59cc (2.5 oz)
F353N	gun & retainer 156cc (6 oz)
F354N	gun & retainer 214cc (8 oz)
F355N	gun & retainer 310cc (12 oz)

Replacement Parts (included)

No.	Part #	Description
1	5601483	Retainer, 59cc (2.5 oz)
2	5601484	Retainer, 156cc (6 oz)
3	5601485	Retainer, 214cc (8 oz)
4	5601486	Retainer, 310cc (12 oz)
5	3500010	Screw for 1608/1908
6	3500020	Holding washer for 1608
7	3500030	Gasket
8		Front
9		Screw
10		Bayonet adaptor for cartridge holder
11		Adapter holder
12		Shaft, complete
13		Handle



F950N Series

Manual Cartridge Gun Dispenser

A manual ergonomic gun designed for accurate dispensing of sealants, potting compounds, adhesives and silicones that are packaged in disposable plastic cartridges.

The F950N is excellent for applying sealants, adhesives and other materials in remote areas where no air supply is available, including field repair applications. The smooth stroking handle is made of an engineered plastic for tough, durable, long term use. The dispense rod is released from pressure after every stroke to help eliminate material drooling.

The F950N series is available with retainers to suit 2.5 oz (59cc), 6 oz (156cc), 8 oz (214cc) and 12 oz (310cc) cartridges. Retainers are affixed to the gun via a quick connect secure bayonet lock feature allowing easy cartridge replacement.

Features

- Portable
- Requires no air or power supply
- Cartridge sizes 2.5, 6, 8 and 12oz (59, 156, 214 and 310cc)
- Ergonomic and lightweight
- Rugged, engineered plastic and metal construction
- Easy and simple to operate
- Dispenses a wide range of materials
- Handles thick viscous material and low viscosity liquids



Models

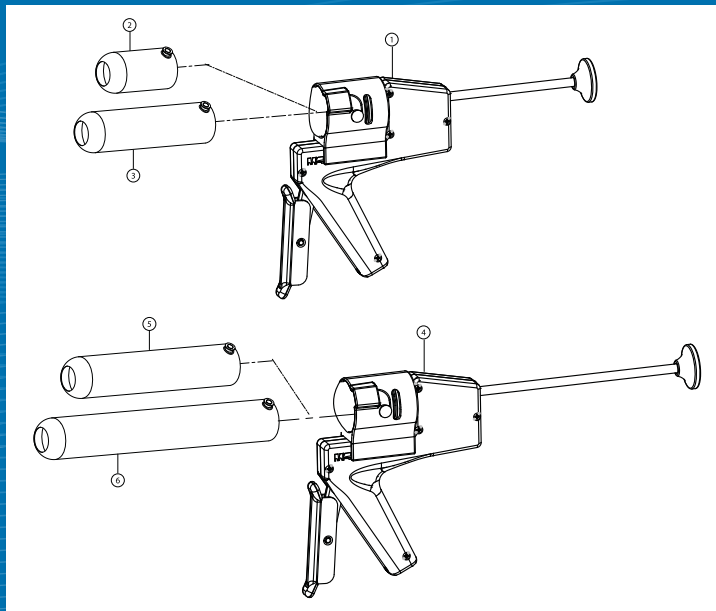
F951N	gun & retainer 59cc (2.5 oz)
F952N	gun & retainer 156cc (6 oz)
F953N	gun & retainer 214cc (8 oz)
F954N	gun & retainer 310cc (12 oz)

Specifications

Cartridge sizes:	2.5 oz (59cc), 6 oz (156cc), 8 oz (214cc) 12 oz (310cc)
Cycle:	Trigger actuated manually timed
Weight:	Gun only - 2.5 lbs.

Replacement Parts (included)

No.	Part #	Description
1	9500000	Handle Assembly (Short Rod)
2	5601483	Retainer, 59cc (2.5 oz)
3	5601484	Retainer, 156cc (6 oz)
4	9500010	Handle Assembly (Long Rod)
5	5601485	Retainer, 214cc (8 oz)
6	5601486	Retainer, 310cc (12 oz)



Caulking Dispenser

Manual Caulking Guns and Retainer

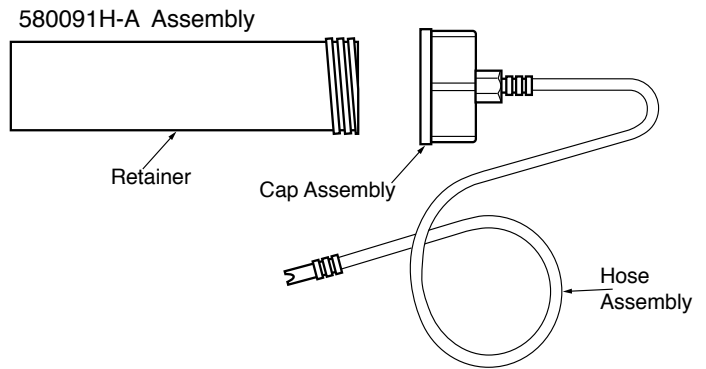
580091H-A 1/10th Gallon Plastic Retainer & Cap



The 580091H-A is used to dispense directly from standard caulking cartridges without mess or waste. The retainer containing the cartridge is sealed with a cap connected to a model DSP501N dispenser (optional) to provide a timed shot without post extrusion. Dispensing can be delivered with fine gauge luer lock tips or with larger nozzles. Dispensing pressure should not exceed 65 psi (4.48 bar). An adapter is available for non-removable nozzles. 1/10th gallon cartridges and accessories are also available for use with the model 580091H-A retainer.

Model

580091H-A	Plastic retainer and cap 1/10th gallon
560546	Nozzle adapter
5601449	Luer lock tip adapter (Pk/3)
5601368	1/10th gallon cartridge (Pk/10)
5601355	1/10th gallon plunger white (Pk/10)
5601388	1/10th gallon threaded tip cap (Pk/10)
5601384	1/10th gallon flange seal cap (Pk/10)
DSP501N	Dispenser 110/220V CE
5605008	Metal retainer and cap 1/10th gallon



580112C Manual Air Caulking Gun



Dispense caulk and sealant materials. Connect the 580112C to a regulated air supply to dispense directly from the caulking tube. Most materials will dispense satisfactorily from 12 to 30 psi (0.80 – 2.0 bar). Do not exceed 60 psi (4 bar).

Model

580112C	Caulking gun
---------	--------------

Specifications

Operating Pressure:	Less than 60 psi (4 bar)
Tube size:	1.97" x 8.50" (50 x 216mm)
Overall Length:	9.25" (235mm)
Weight:	0.55lb (0.25kg)

Barrel Filling

Automatic and Manual Barrel Loaders

560022 Automatic Barrel Loader



560022

An efficient method of transferring grease, epoxie, silicone, solder paste and other thixotropic materials into a disposable barrel. The barrel loaders can be connected to a DSP501N dispenser (optional) to control the operation.

The model 560022 barrel loader is for pre-filled 12 oz cartridges, which are placed inside a vertical container mounted on the stand. The barrel attachment assembly is threaded to accept luer lock barrels. Activating the DSP501N causes the material to rise inside the barrel. This method simplifies loading and reduces the possibility of entrapped air in the fluid.

The 560022 includes stand, retainer support, 12 oz retainer and cap, one (1) empty 12 oz cartridge and plunger, an outlet cap and special barrel attachment assembly.

Replacement parts (Included)

Part #	Description	Part #	Description
5601367	12 ounce cartridge (Pk/10)	914	elbow 1/4" NPT, 3/8" tube
5601354	plunger (Pk/10)	915	flexible tube, 3/8" O.D.
912	bushing	560710	luer lock cap
913	male connector 1/4" NPT, 3/8" tube	560733	1/4" 28UNF luer lock connector

Models

560022	cartridge barrel loader
DSP501N	dispenser 110/220V CE

560548-M Manual Barrel Loader



560548-M

The model 560548-M loads a barrel directly from a 1/10 gallon caulking tube. The barrel loader is connected to an air regulator and set to a pressure suitable for the material but less than 65psi (4.48 bar). A switch on the side of the stand activates the airflow and is switched off when the material reaches the desired level. The barrel attachment assembly is threaded to accept luer lock barrels.

Models

560548-M	Barrel Loader 1/10th gallon caulking
560546	1/10th gallon nozzle adapter
5601368	1/10th gallon cartridge (Pk/10)
5601355	1/10th gallon plunger white (Pk/10)
5601388	1/10th gallon threaded tip cap (Pk/10)
5601384	1/10th gallon flange seal cap (Pk/10)

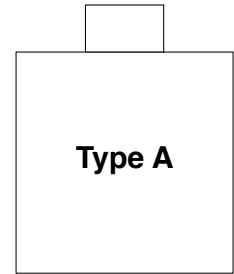
Replacement parts (Included)

561105	1/4" NPT street elbow
560733	1/4" 28 UNF luer lock connector
560734	1/4" 28 UNF 1/4" MPT reducer
560710	luer lock cap

Reservoir Tanks

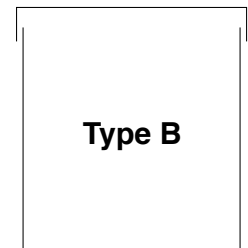
Pressurized Material Reservoirs

Reservoirs are used to feed bulk fluids to a valve or dispensing pen. A variety of sizes and types is available, including bottom porting for very high viscosity liquids and top porting for low to medium viscosities. An “open top” style is used if liners are required to prevent the material from making contact with the sides of the container or if the fluid requires an agitator.



Type A

Type A reservoir is bottle style.



Type B

Type B reservoir is open top style for insertion of liners or containers.

Models

Model	Size	Style	Agitator	Ported	Base	ASME rating	Max pressure	Regulator gauge (psi)	Material 10ft. hose
IJ2601-107	2 qt.	bottle	no	top	metal	no	50 psi	0-60	1/4"
IJ-0100	1 gal.	bottle	no	bottom •	metal	yes	125 psi	0-100	3/8"
IJ-0100R	1 gal.	bottle	no	top	rubber	yes	125 psi	0-100	1/4"
IJ-0200	2 gal.	bottle	no	bottom •	metal	yes	125 psi	0-100	3/8"
IJ-000R	2 gal.	bottle	no	top	rubber	yes	125 psi	0-100	1/4"
IJ-83B-500	2.8 gal.	open top	no	top ••	metal	yes	80 psi	0-60	1/4"
IJ-83Z-211	2.8 gal.	open top	yes	top ••	metal	yes	80 psi	0-60	1/4"
IJ-0300	5 gal.	bottle	no	bottom •	metal	yes	125 psi	0-100	3/8"
IJ-0300R	5 gal.	bottle	no	top	rubber	yes	125 psi	0-100	1/4"

All reservoirs are supplied with a 10' (3.05m) material hose and 1/4" (6.35mm) airline.

Parts

Part #	Description
560554	material shut off valve assembly for reservoirs marked •
IJ-83B-RL	replaceable liner for IJ-83B-500 and IJ-83Z-211 ••
560934	regulator gauge (included)
560779	regulator (included)
560944	O ring EPDM for bottle style reservoirs included (560944V Viton and 560944T Teflon encapsulated Viton o ring optional)

Optional Gauges

Part #	Description
561562	15 psi
560571	25 psi

Dispensing Pens

Manual Dispensing Pens

700PTPCW Dispensing Pinch Tube Pen



Pinch tube pens are ideal applicators for manually dispensing continuous beads or applying microdots of low viscosity liquids. Examples include solvents and cyanoacrylate glues.

The disposable pinch tube is the only part of the pen that is in contact with the material and discarded when contaminated. The pinch tube pen can be connected via a wide range of interchangeable fittings to gravity fed or pressurized reservoirs.

Model

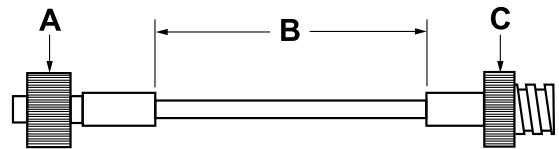
700PTPCW Dispenser Pinch Tube Pen
Reservoir Ordered Separately

Parts

Qty	Part #	Description
2	580045A	pinch tube I.D. 0.10"
1	580042A	3/32" allen wrench
1	580044A	1/16" allen wrench
1	580047A	PE hose assembly I.D. 0.070" x 24" length
1	5601390	luer lock tip adapter
5	5601257	teflon lined tips I.D. 0.006" (0.15mm)
5	5601204	blunt end tips 23 gauge I.D. 0.013" (0.33mm)
1	580047A-10-18	PE hose assembly I.D. 0.10" x 18" length
1	580047A-10-24	PE hose assembly I.D. 0.10" x 24" length
1	580047A-10-36	PE hose assembly I.D. 0.10" x 36" length

Pinch tube assemblies (Polyethylene)

Part #	A Molded end	B Tube Length (+/- 0.250")	C Molded End	Tubing (B) I.D. inch	O.D. inch
580045A	male	3.38"	female	0.100	0.150



JC1015 Dispensing Needle Valve Pen



The needle valve pen simplifies the application of a low to medium viscosity fluid, which is not affected by contact with metal parts. Material is fed into the pen from a cartridge or reservoir. The finger control shut off instantly opens and closes the material flow. The pen is suitable for microdots, beading and potting operations.

Models

JC1015 Dispensing pen
Reservoir Ordered Separately

Replacement parts

Part #	Description	Part #	Description	Part #	Description
561591	screw	561596	needle	561601	machined reducer
561592	knurled fitting	561597	packing O-ring	561602	seat
561593	spring	561598	packing washer	561603	tip holder
561594	piston	561599	machined stop	561852	lever
561595	locking nut	561600	flat washer		

Manual Dispensing Access.

Pail Pump - Dosing Gun

JD927 Dosing Gun



A lightweight and comfortable dispensing gun
An effortless squeeze of the trigger advances the plunger by 0.24" (6mm) dispensing an exact amount of material every time.

Features

- Easy twist-on barrel mounting
- Accurate liquid volume control
- Finger tip control
- Push button release of plunger
- Compact and impact resistant
- Plungers for 30cc and 10cc barrels

Models

- | | |
|----------|--------------------------------|
| JD927 | dosing-gun kit for 30cc barrel |
| JD927-10 | dosing-gun kit for 10cc barrel |

560092B Manual Pail Pump



Trying to extract material from large pails can be a daunting project. The pail pump is a simple solution. Suitable only for 5-gallon straight-walled pails containing fluids, such as grease, paste, etc. The hand lever pumps the fluid to bottom-fill 2.5, 6, 8 or 12oz cartridges together with luer lock barrels from 3cc up to 55cc.

An internal follower-plate ensures that most material is used.

Models

- | | |
|---------|--------------------|
| 560092B | Pail Pump Extruder |
|---------|--------------------|

Volumetric Hand Dispensers

Finger Switch - Volumetric Hand Dispenser

Adjustable Finger Switches

For operators who prefer finger switches to foot pedals, these band switches are easily adjustable and can be fitted to cartridges, retainers and barrels.

Models

FS-501V	cartridge & retainer finger switch
560023-LF	barrel finger switch



AD93 Volumetric Hand Dispenser



The AD93 volumetrically dispenses epoxies, silicones, glues and pastes. Available in two capacities, 35cc and 80cc syringe, with hot stamped sidewall indicators for dosage levels in cc and ounces. Shot sizes can be selected in increments of 1cc to 5cc. Material delivery is via luer lock tips.

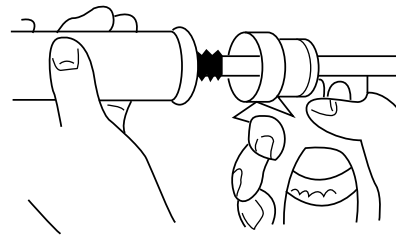
Models

AD93	35cc capacity
AD93L	80cc capacity

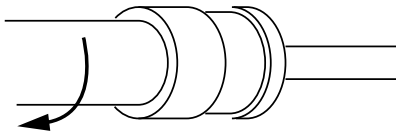
Parts (included)

560789	barrel w/plunger 35cc
560798	barrel w/plunger 80cc

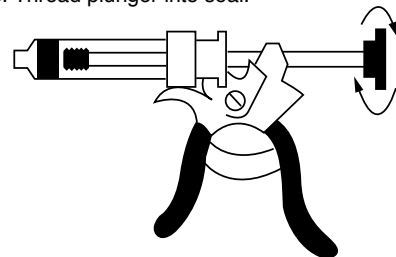
1. Insert barrel.



2. Twist to lock in place.



3. Thread plunger into seal.



Dispensing Stands

Benchtop Dispensing Stands

Dispensing stands are designed to operate as bench workstations.

A heavy-duty cast base is provided for precise alignment and positioning of barrels, valves, cartridges and retainers. An adjustable horizontal arm allows for z-axis adjustment.

Barrel & 710PT-LF Stand



Model

560021 Barrel & 710PT-LF valve stand

VMP30H & VDP150 Stand



Model

562235 VDP150 & VMP30H valve stand

1/10th Gallon Stand



Model

560549 Plastic 1/10th gal. stand
560549-metal Metal 1/10th gal. stand

VD510 Stand



Model

562043 VD510 valve stand

Retainer Reservoir Stand



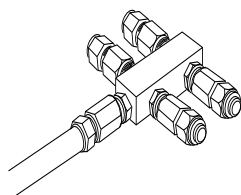
Model

560535 cartridge reservoir stand

Accessories & Fittings

Liquid Manifolds

Provide capability of supplying liquid from one reservoir to up to (6) valves. Suitable for 3/8" or 1/4" tubing.



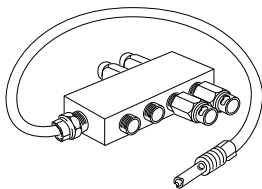
Part #	Description	No. of Outputs
560540	liquid manifold (3/8" tubing)	2
560542	liquid manifold (3/8" tubing)	4
560543	liquid manifold (3/8" tubing)	6
560540-1/4	liquid manifold (1/4" tubing)	2
560542-1/4	liquid manifold (1/4" tubing)	4
560543-1/4	liquid manifold (1/4" tubing)	6

Fittings

<p>Brass</p> <p>2067 Female quick connector, 1/4" Barb</p>	<p>Brass</p> <p>2067A Female quick connector, 1/4" NPT Female</p>	<p>Brass</p> <p>2081 Male quick connect 1/8" Barb</p>	<p>Brass</p> <p>580108 Male quick connect 1/4" MPT Male</p>	<p>Stainless steel</p> <p>560738 Hose clamp</p>	<p>Brass</p> <p>580109A Adapter nipple metric, 1/4" MPT</p>
<p>Brass</p> <p>560737 Barbed fitting male, 1/4" MPT 1/4" Barb</p>	<p>Brass</p> <p>560614 Reducing nipple, 1/4" MPT 1/8" MPT</p>	<p>Nylon</p> <p>560734 Reducer 1/4" NPT, 1/4" - 28 UNF</p>	<p>White</p> <p>561085 Female luer lock to barb</p>	<p>White</p> <p>561086 Luer lock to hose barb</p>	<p>Black</p> <p>580057 Quick disconnect retainer - female with shut-off</p>
<p>White</p> <p>580095 Quick connect retainer - female w/o shut-off</p>	<p>Black</p> <p>580115 Quick connect retainer - female bulkhead</p>	<p>Black</p> <p>2004BA Male luer lock tip adapter</p>	<p>Black</p> <p>5601449 Male luer lock cartridge adapter</p>	<p>White</p> <p>560657 Female connector, 1/4" Tube, 1/4" Tube</p>	<p>White</p> <p>913 Male connector, 1/4" NPT, 3/8" Tube</p>
<p>White</p> <p>914 Male elbow, 1/4" MPT, 3/8" Tube</p>	<p>White</p> <p>560726 Female connector 1/4" NPT, 3/8" Tube</p>	<p>White</p> <p>560545 Male luer lock tip adapter</p>	<p>White</p> <p>7610 Male hose connector, 1/8" MPT, 3/8" Comp.</p>	<p>Nylon</p> <p>7513 Reduced nipple, 1/4" MPT, 1/4" - 28 UNF</p>	<p>White</p> <p>560656 Male hose connector, 1/4" MPT, 1/4" Comp.</p>
<p>White</p> <p>560714 Male elbow, 1/8" MPT, 1/4" Tube</p>	<p>White</p> <p>560715 Male connector 1/8" MPT, 1/4" Tube</p>	<p>Brass</p> <p>560724 Male elbow, 1/4" NPT, 1/4" NPT</p>	<p>Brass</p> <p>560725 Male swivel elbow, 1/8" NPT, 1/4" Tube</p>	<p>Brass</p> <p>560701 Barbed fitting, female 1/8" NPT, 3/16" barb</p>	<p>Brass</p> <p>560703 Male quick connector, 1/4" NPT female</p>
<p>Brass</p> <p>560704 Barbed fitting, male 1/4" MPT, 3/16" barb</p>	<p>Brass</p> <p>560716 Close nipple 1/4" NPT</p>	<p>Brass</p> <p>560727 Reducer 1/4" NPT Female, 1/8" NPT Male</p>	<p>Brass</p> <p>560735 Reducer coupling 3/8" NPT, 1/4" NPT</p>	<p>Brass</p> <p>560740 Elbow connector 3/8" NPT, 1/2" Comp</p>	<p>Brass</p> <p>560741 Reducing nipple 3/8" MPT, 1/4" MPT</p>
<p>Brass</p> <p>560717 Reducing bushing 1/2" - 1/4" NPT</p>	<p>Brass</p> <p>560718 Hex nipple, 1/8" NPT</p>	<p>Brass</p> <p>560719 Reducing bushing 1/4" - 1/8" NPT</p>	<p>Brass</p> <p>560713 Male fitting Elbow 1/4" NPT, 3/16" Hose</p>	<p>Brass</p> <p>560746A Male push connector 1/4" MPT, 1/4" Tube</p>	<p>Brass</p> <p>560747 Street elbow 1/4" NPT</p>
<p>Brass</p> <p>560728 Elbow, 1/8" NPT Female, 3/16" Barb</p>	<p>Brass</p> <p>560729 Elbow, 1/8" NPT Male</p>	<p>Brass</p> <p>560730 Tee 1/8" NPT, 3/16" tube, 3/16" tube</p>	<p>Brass</p> <p>560731 Tee 3/16" tube, 3/16" tube, 1/8" NPT</p>	<p>Brass</p> <p>560732 Elbow 1/8" NPT male 3/16" tube</p>	<p>White</p> <p>560733 Luer lock connector 1/4" - 28 UNF</p>
<p>Nylon</p> <p>560745 Female coupling luer lock</p>	<p>White</p> <p>560546 1/10 gal. nozzle adapter</p>				

Air Manifolds

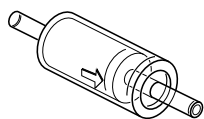
Provides the capacity of connecting up to (4) valves to one dispensers.



Part #	Description	No. of Outputs
560055	air manifold	2
560057	air manifold	4

Cleanroom Filter / Muffler

Filter cartridge filters air output to 0.5 microns. Also provides muffling of exhaust air where reduced operating noise is required.



Part #	Description
560024	filter / muffler

5 Micron Air Filter

Part #	Description
580101	air filter
560567	5 micron air filter / regulator

Selection Guide

Valve Material and Application Guide

A wide selection of valves are available for different fluid types and applications. The chart below will provide a quick page guide for recommended valve options by matching the application (Horizontal) to the fluid type (Vertical).

Materials	Spray	Dots	Micro Dots	Beads/Lines	Potting/Filling	Filled Fluids	Micro Beads
Acid		30, 34	30	30, 34	30, 34, 41		30, 34
Adhesive		30, 34	30	30, 34	30, 34		30, 34
Alcohol	48	30, 34, 42	30, 40	30, 34	30, 34		30, 34
Anaerobic		30, 34, 40	30, 40	30, 34, 40	30, 34, 40		30, 34, 40
Coating	48			36, 37			
Conformal Coating	48			36, 37			
Cyanoacrylate		30, 34	30	30, 34	30, 34		30, 34
Epoxy		32, 35, 46, 47	46, 47	32, 35, 46, 47	32, 35	32,33	32, 35, 46, 47
Grease		35, 36, 40	40	35, 36, 40	35, 36		35, 36, 40
Ink	48	30, 33	30	30, 33	30, 33		30,33
Liquid Flux	48	30, 34	30	30, 34	30		30, 34
Lubricant	48	30, 40	30, 40	30, 40	30, 40, 43, 44		30, 40
Paste		32, 35, 36		32, 35, 36	32, 35, 36	32	32, 35, 36
Reagent		30, 41	30	30	30, 41		30
RTV/Gels		29, 32, 35, 36		29, 32, 35, 36	32, 35		29, 32, 35, 36
Sealant		35, 36, 37	37	35, 36, 37	35, 36		35, 36, 37
Silicone		35, 38, 39		35, 38, 39	35		35, 38, 39
Solder Mask		29, 31		29, 31	29, 31		29, 31
Solder Paste		46, 47	46, 47	46, 47		46, 47	46, 47
Solvent		30, 34, 41	30	30, 34, 41	30, 34, 41		30, 34, 41
UV Adhesive	48	30, 31, 35, 40	30, 40	30, 31, 35, 40	31, 35, 40		30, 31, 35, 40

DSP501N

Dispenser & 3-Way Valve Controller

Featuring a larger internal air solenoid recommended for 3-way control operations that require an immediate and fast reaction for de-pressurization. Examples include: Valves, collapsible toothpaste-type tube, caulking, cartridge reservoirs and rotary-table operations.

Suitable for all types of fluids, includes a suck-back feature to ensure low viscosity liquids do not drip. Timing interval from 0.01 to 31 seconds.



Features

- Valve & dispense timer
- Barrel suck-back ensures no dripping
- Large solenoid air exhaust

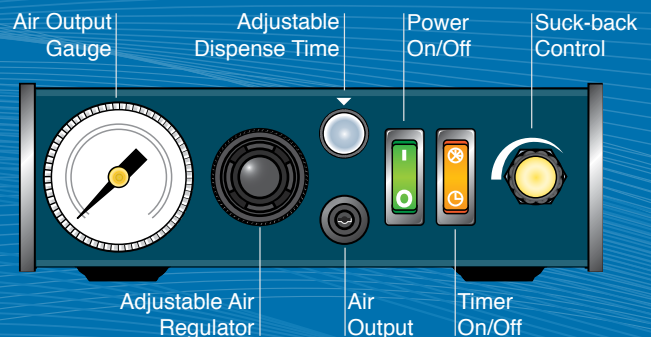
Model

DSP501N

Dispenser 110/220V CE

Specifications

Size:	8.63" x 8.50" x 2.63" (21.92 x 21.59 x 6.68 cm)
Dispense time:	0.01 - 31 seconds
Cycle:	Momentary with time or continuously maintained
Voltage:	100 - 240 VAC 50/60Hz
Internal voltage:	24 VDC
Air input:	70 to 100 psi (4.8-6.9 bar)
Air output:	1-100 psi (0.1-6.9 bar)
Standards:	CE approved, RoHS Compliant
Weight:	4 lbs 2 ozs (1.87 kg)



VC1195N

4-Way Valve Controller

Valves

The VC1195N is a 4-way valve controller that can be used to control one or two valves simultaneously. The controller is suitable for all valves in the brochure identified as requiring or optionally accepting a 4-way controller.

The VC1195N valve controller provides a continuous “valve-off” state and remains in this mode until a signal is received to switch to “valve-on” mode. This instruction can derive from a remote robotic device or by the foot switch provided. When the timer is off, the valve will remain in “valve-on” state as long as the foot switch is pressed or to allow a robot to control the operation. When the timer is selected, a momentary pulse will activate the timer to open the valve for a programmed period and then close the valve automatically.

The VC1195N will deliver accurate and repeatable dots or beads for any application.



Example of a 4-way valve requiring the VC1195N controller for 4-way open & close operation.

Features

- Simultaneous control of two valves
- Timing interval from 0.01 – 31 seconds
- Fast response internal pneumatic solenoid

Model

VC-1195N Controller 110/220V CE

Specifications

Size:	10.50" x 8.25" x 2.75" (26.67 x 20.95 x 6.98cm)
Dispense time:	0.01-30 seconds
Cycle initiation:	Momentary or continuous
Voltage:	100-240 VAC 50/60Hz
Internal voltage:	24 vdc
Air input:	70-100 psi (4.8-6.9 bar)
Air output:	1-100 psi (0.1-6.9 bar)
Weight:	4 lbs. 3 oz. (1.90 kg)

Parts (included)

560033-LF	Power Cord 110V
560033E-LF	Power Cord 220V
560033E-PLUG-LF	Power Cord with plug 220V
560752	Input air hose with accessories
560027D	Foot pedal and cord
560524	6 ft. air hoses x2

CV629 - Adjustable Cartridge Valve

The CV629 is a pneumatically operated valve designed for precision dispensing of many types of fluids, such as solvents, oils, silicones, glues, UV adhesives, inks, etc. The system can be integrated with an automatic dispensing robot or used as a bench-dispensing valve. Avoid clean-up and maintenance by simply replacing the removable cartridge.

3-Way Valve Operation

The valve is opened by air pressure and closed by a return spring when air pressure is released. Applying a minimum of 70 psi (5 bar) air pressure to the air inlet will open the valve. Fluid is supplied to the material inlet through a 1/8 BSPP port.

Shot sizes may be fine tuned by the adjustment screw at the top of the valve; hence the CV629 valve is recommended for applications where micro deposits are required. Shot size and flow rate are controlled by the tip size, fluid pressure and the duration that the valve is open.

The model DSP501N is a suitable controller for the CV629 valve.



Model

CV629 Cartridge valve

Accessories

DSP501N 3-way controller 110/220V CE

Features

- Aligned air and material inlets for side-by-side mounting
- Stroke adjustment to fine tune shot size
- Replaceable cartridge
- Microshot deposits

Specifications

Operating air pressure: 70 to 85 psi (4.8 to 5.9 bar)

Material delivery pressure: MAX 300 psi (20.7 bar)

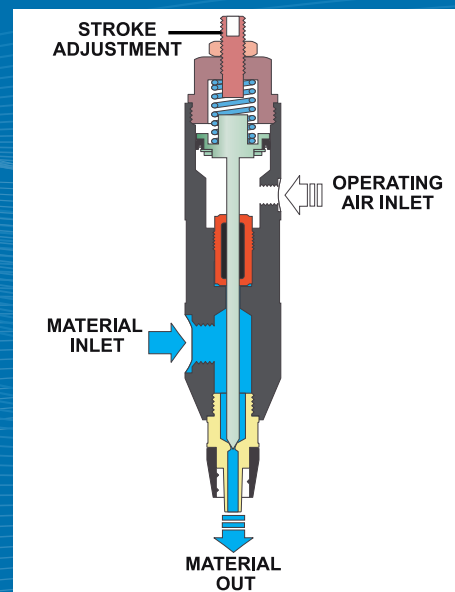
Connecting Ports:

Operating air input: M5 thread with push-in fitting for ø6 O.D. tube

Material inlet: 1/8" BSPP with push-in fitting for ø6 O.D. tube

Material outlet: Luer lock adapter

Weight: 135g



VD510

Diaphragm Valve

Valves

VD510 - Min. Shot Size 0.001cc - Adjustable

The VD510 is a diaphragm valve designed for precise flow control of low to medium viscosity materials. The diaphragm separates the wetted parts from the moving parts and, therefore, the valve is ideal for dispensing cyanoacrylates, reagents, electrolytes, glues, solvents, paints, alcohol and other volatile substances.

The model DSP501N is a suitable controller for the VD510 valve.

3-Way Valve Operation

When air pressure is applied to the VD510 valve, the valve will open and the material will be dispensed. At the end of the dispense cycle a spring assists the diaphragm to return quickly to its closed state for immediate shut-off.

Shot sizes may be fine tuned by turning the stroke adjustment at the top of the valve.



Model

VD510	Diaphragm valve
VD510-SS	Stainless steel diaphragm valve
VD510-UV	UV suitable diaphragm valve

Accessories

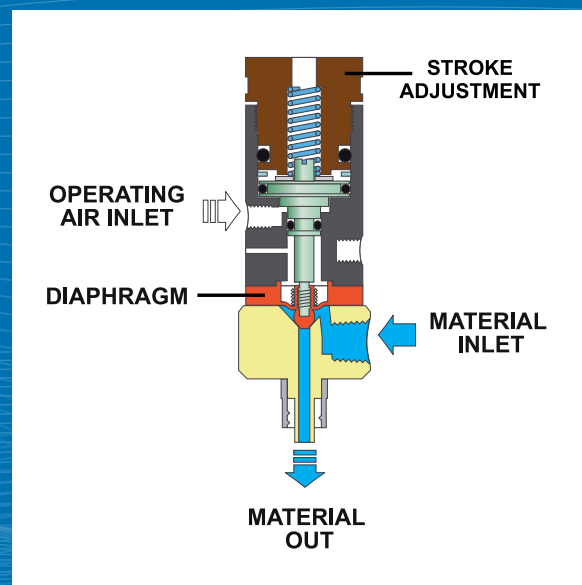
DSP501N	3-way controller 110/220V CE
---------	------------------------------

Features

- Stroke adjustment to fine tune shot size
- Separated wetted parts
- Suitable for robot integration
- Suitable for anaerobic fluids

Specifications

Operating air pressure:	60-85PSI (4.1-5.9 bar)
Material delivery pressure:	71PSI (4.9 bar)
Flow rate:	MAX 0.3 l/min
Minimum shot size:	0.001cc (material dependent)
<i>Driving part materials:</i>	
Body:	AL (hard coated, black)
Piston:	SUS303
Piston Seal:	NBR
Wetted part materials:	UHMW-PE
<i>Connecting Ports:</i>	
Operating air input:	M5xP0.8
Material inlet:	1/8" NPT
Material outlet:	Luer lock
Weight:	76g



VMS400 - Min. Shot Size 0.1cc - Adjustable

The VMS400 is a mini-spool type pneumatic valve designed for dispensing low viscosity to high viscosity materials.

3-Way & 4-Way Valve Operation

When air pressure is applied to the air inlet of the VMS400 valve, the spool will be forced forward and fluid will be dispensed. The VMS400 valve has a suck-back effect that eliminates lumping at the end of the needle after dispensing. Turning the adjustment control at the top of the valve regulates the amount of suck-back.

Shot size and flow rate are controlled by the tip size, fluid pressure and the duration that the valve is open.

The model DSP501N is a suitable controller for the VMS400 valve. For faster actuation, the 4-way VC1195N valve controller is recommended.



Model

VMS400 Mini spool valve

Accessories

DSP501N 3-way controller 110/220V CE

VC1195N 4-way controller 110/220V CE

Features

High-pressure fluid input up to 700 psi

Adjustable "suck-back" effect

Suitable for high viscosity fluids

Specifications

Operating air pressure: 60-85PSI (4.1-5.9 bar)

Material delivery pressure: 711PSI (49 bar)

Flow rate: MAX 5.0 l/min

Minimum shot size: 0.1cc

Driving Part Materials:

Body, Piston: SUS303

Spool: SUS420

CAP: AL (hard coated)

Wetted Part Materials:

Chamber, Chamber Cap: SUS303

Seal: UHMW-PE lip seal

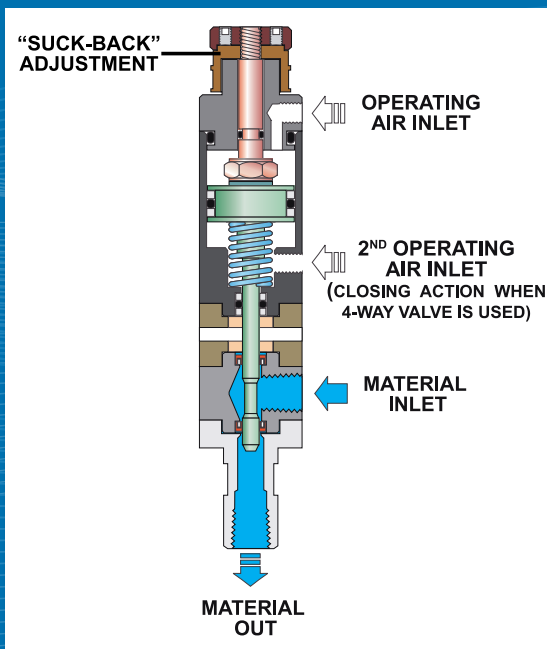
Connecting Ports:

Operating air inlet: M5xP0.8

Exhausting outlet: M5xP0.8

Material inlet, outlet: 1/8" NPT

Weight: 255g



VP300

Poppet Valve

Valves

VP300 - Min. Shot Size 0.05cc - Adjustable

The VP300 is a multipurpose, poppet-type pneumatic valve designed for dispensing low to mid-high viscosity materials, such as silicones, RTV, epoxy, rubber adhesives, grease, liquids containing filler, etc. A diaphragm located between driving parts and wetted parts increases the valve life and reduces valve maintenance.

3-Way & 4-Way Valve Operation

When air pressure is applied to the valve, the valve seat will open and the material will be dispensed. Shot sizes may be fine tuned by turning the control knob at the top of the valve.

The VP300 valve has a suck-back effect that eliminates lumping at the end of the needle after dispensing. The suck-back effect occurs when the valve is closed because of the change in the volume of the material area as the poppet moves up in the valve.

The model DSP501N is a suitable controller for the VP300 valve. For faster actuation, the 4-way VC1195N valve controller is recommended.



Features

- Stroke adjustment to fine tune shot size
- "Suck-back" effect
- Separated wetted parts
- Suitable for filled material

Accessories

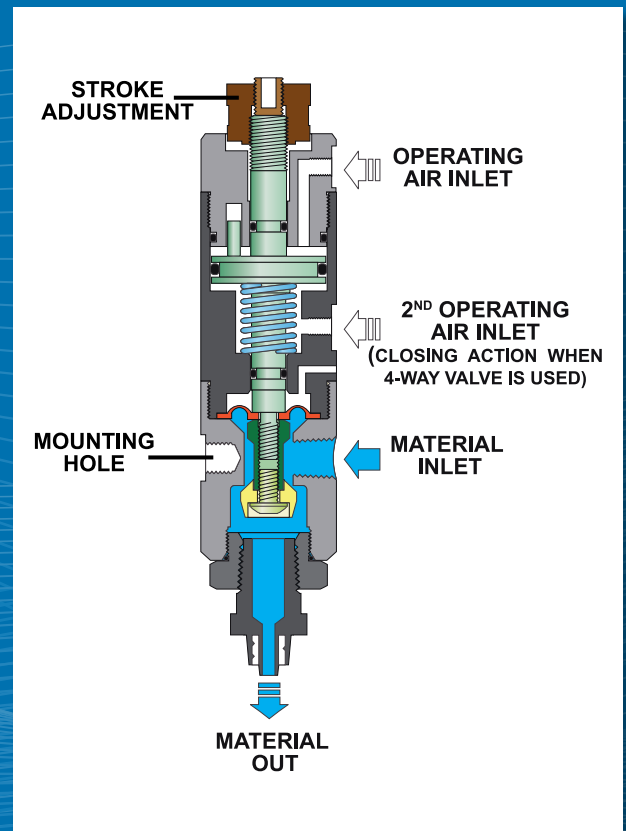
- DSP501N 3-way controller 110/220V CE
- VC1195N 4-way controller 110/220V CE

Model

VP300 Poppet valve

Specifications

Operating air pressure:	60-85PSI (4.1-5.9 bar)
Material delivery pressure:	85PSI (5.9 bar)
Flow rate:	MAX 2.4l/min
Minimum shot size:	0.05cc
<i>Driving part materials:</i>	
Body:	AL (hard anodizing, black)
Piston:	SUS303
Piston Seal:	NBR
<i>Wetted part materials:</i>	
Chamber, CAP:	AL (hard anodizing, black)
Diaphragm, Valve Seat:	UHMW-PE
O-Ring (CAP):	Viton
Option:	The Chamber, CAP, and wetted parts can be replaced with SUS303, AL, PPEK, Acteal.
<i>Connecting Ports:</i>	
Operating air input:	M5xP0.8
Material inlet:	1/8" NPT
Material outlet:	1/4" NPT, Luer lock
Mounting Hole:	M5xP0.8
Weight:	258g



VMP30H - Min. 0.01cc - Adjustable

The VMP30H is a multipurpose, mini-poppet pneumatic valve designed for dispensing low to mid-high viscosity materials, such as silicones, RTV, epoxy, rubber adhesives, grease and filled materials. The poppet design minimizes surface area and friction between the valve piston and the material, making it ideal for filled materials and extending the life of the valve seals.

A diaphragm located between driving parts and wetted parts increases the valve life and reduces valve maintenance.

3-Way & 4-Way Valve Operation

When air pressure is applied to the valve, the valve seat will open and the material will be dispensed. Shot sizes may be fine tuned by turning the control knob at the top of the valve.

The VMP30H valve has a suck-back effect, which draws material back into the fluid body at the end of the dispensing cycle. This eliminates lumping at the end of the needle after dispensing.

The model DSP501N is a suitable controller for the VMP30H valve. For faster actuation, the 4-way VC1195N valve controller is recommended.

Model

VMP30H Mini poppet valve



Features

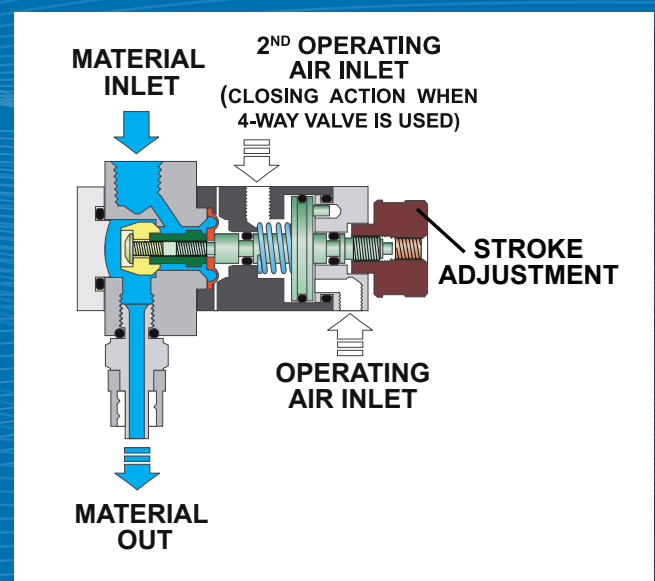
- Stroke adjustment to fine tune shot size
- "Suck-back" effect
- Separated wetted parts
- Suitable for filled material

Accessories

- DSP501N 3-way controller 110/220V CE
- VC1195N 4-way controller 110/220V CE

Specifications

Operating air pressure:	50-85PSI (3.4-5.9 bar)
Material delivery pressure:	Max 85PSI (5.9 bar)
Flow rate:	MAX 1.2l/min
Minimum shot size:	0.01cc (material dependent)
<i>Driving part materials:</i>	
Body:	AL (hard anodizing, black)
Piston:	SUS303
Piston Seal:	NBR
<i>Wetted part materials:</i>	
Chamber, CAP:	SUS303
Diaphragm, Valve Seat:	UHMW-PE
O-Ring (CAP):	Viton
Option:	The Chamber, CAP, and wetted parts can be replaced with SUS303, AL, PPEK, Acteal.
<i>Connecting Ports:</i>	
Operating air input:	M5xP0.8
Material inlet:	1/8" NPT
Material outlet:	Luer lock
Weight:	162g



710PT-LF

Pinch Tube Valve

Valves

710PT-LF - Pinch Tube Valve

Engineered for precise control of semi-viscous liquids including mixed two-part component fluids and cyanoacrylate. The only part of the valve making contact with the fluid being dispensed is the disposable pinch tube assembly.

3-Way Valve Operation

The 710PT-LF pinch tube valve provides an infinite degree of control for continuous micro-shot applications of low-to semi-viscous materials.

Automatically opening and pinching a molded polyethylene tube assembly achieves the "on/off" control.

The shot size or flow rate is determined by the degree of adjustment in releasing the closed (pinched) tube and by the valve control timer.



Model

710PT-LF Pinch tube valve

Accessories

DSP501N 3-way controller 110/220V CE

Parts *(included)*

Part #	Qty	Description
580033-LF	1	Mounting rod 0.5" O.D.
580037A	3	Dispense tube 0.10" I.D.
580038A	3	Dispense tube 0.07" I.D.
5601257	5	Teflon lined tips
5601225	5	Blunt end tips 23 gauge
5601390	1	Tip adapter

Features

- Throwaway valve and feed tubes
- Suitable for low viscosity fluids
- Ideal for two-part epoxies and cyanoacrylate
- Simple to use and maintain

Specifications

Operating air pressure: 60-75 psi (4.1-5.1 bar)

Material delivery pressure: Max 100 psi

Driving part materials:

Body: Plastic

Piston: Plastic

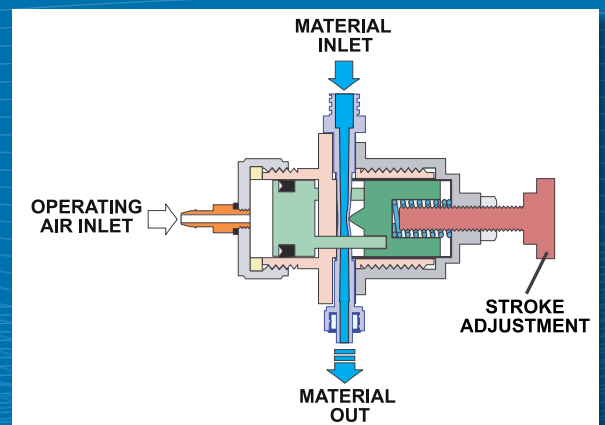
Wetted part materials: Polyethylene

Connecting Ports:

Operating air input: 1/4" tube adapter

Material inlet: Luer lock

Material outlet: Luer lock



790HP-LF

High Volume Valve

790HP-LF - High Volume - Spool Action

The 790HP-LF series high-pressure dispense valve is an economic solution when dispensing high viscosity materials such as silicones, RTV, sealant and grease. The 790HP-LF provides a snap-release shut off after dispensing, resulting in a suck-back at the fluid outlet, preventing any drip or post extrusion.

3-Way & 4-Way Valve Operation

The 790HP-LF is a balanced type "on/off" segmented high-pressure spool valve. Applying a minimum of 50 psi to the air inlet will force the spool forward, under tension from an internal return spring, dispensing the material.

Releasing the air pressure results in the internal spring snapping back into position and closing the valve.

790HP-LF valves can be used with a 3-way air valve controller DSP501N. Should the operation require automation, a faster closing action can be achieved using the 4-way valve controller VC1195N.



Features

- High-pressure fluid input up to 2500 psi
- Suitable for very high viscosity fluids
- Replaceable seals

Model

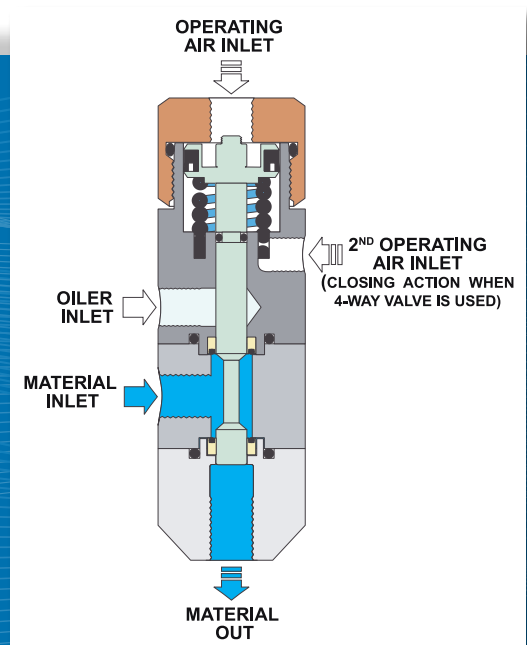
- 790HP-LF High-pressure valve aluminum
- 790HPSS-LF High-pressure valve stainless steel

Accessories

- DSP501N 3-way controller 110/220V CE
- VC1195N 4-way controller 110/220V CE
- 580018-LF Repair kit without valve spool
- 580017-LF Repair kit with valve spool
- IJ934K Air & fluid I/O accessory kit
- 5601390 Tip adapter (Pk/3)
- 913 3/8" material tube fitting
- 914 3/8" material tube elbow

Specifications

Material input pressure:	MAX 2500PSI (172.4 bar)
Air pressure required:	Minimum 60PSI (4.1 bar)
Valve body:	
790HP-LF	Aluminum
790HPSS-LF	Stainless steel
Connecting Ports:	
Operating air input:	1/4" NPT
Material inlet:	1/4" NPT
Material outlet:	1/4" NPT
Seals:	O-ring - viton, seats are glass filled Teflon



HP600

High Pressure Needle Valve

Valves

HP600S - small shot, HP600L - large shot

The HP600S and HP600L high-pressure dispense valves are a robust long-life solution for dispensing high viscosity materials such as silicone, RTV, sealant and grease. Both valves are adjustable for shot size.

4-Way Valve Operation

The HP600S & HP600L are balanced type "on/off" segmented high-pressure needle valves, which require a model VC1195N 4-way valve controller. Applying a minimum of 56 psi to the air inlet will retract the needle allowing material to flow. Switching the air signal on the controller will return the needle to its seated position closing the valve.

Model

HP600S	High-pressure valve small shot
HP600L	High-pressure valve large shot

Accessories

VC1195N	4-way controller 110/220V CE
5601390	Tip adapter
913	3/8" material tube fitting
914	3/8" material tube elbow

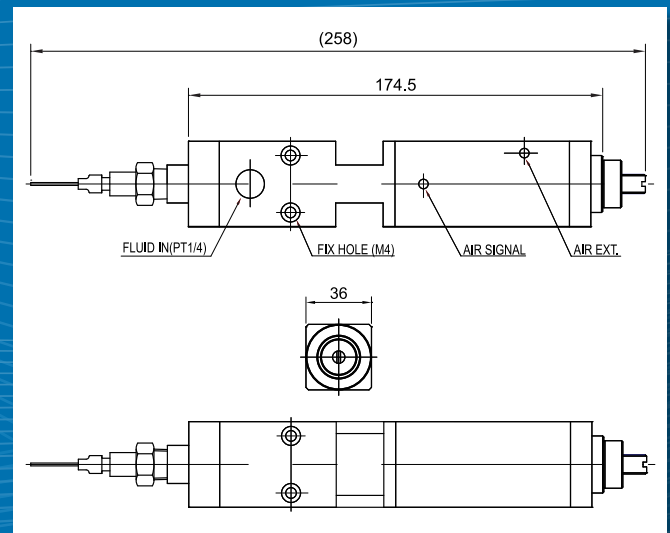


Features

- High-pressure fluid input
- 4-way operation - quick shut off
- Adjustable for shot size
- Suitable for very high viscosity fluids
- Replaceable seals

Specifications

Operating air pressure:	60-71PSI (4.1-4.9 bar)
Fluid delivery pressure	
HP600S:	2,133PSI (147 bar)
HP600L:	1,565PSI (107.9 bar)
Minimum shot size:	
HP600S:	0.01cc
HP600L:	0.2cc
Valve type:	Needle
Driving part materials:	
Cylinder body, CAP:	AL hard anodized
Piston, Check body:	STS303
Wetted part materials:	
Chamber:	SUS303
CAP, CV Body:	AL (hard coated)
Seals:	Acetal Teflon
Connecting Ports:	
Operating air input:	M5xP0.8 , 4mm fitting ø6 OD Air hose
Material inlet:	1/4" NPT
Material outlet:	1/4" NPT Luer lock (male)
Weight:	950g



HPN200 - Adjustable - High Pressure Needle Valve

The HPN200 is a high-pressure needle valve suitable for high viscosity materials at fluid pressures up to 1,700 psi. It also features a shot size stroke adjustment, which can easily fine tune the front closing needle for precise deposits.

3-Way & 4-Way Valve Operation

The valve is opened and closed by applying pressure to the ports. The valve may be operated with 56 psi.

Material is supplied to the stainless steel body through a 1/4" NPT female port. Fluid pressure may be as high as 1,700 psi.

Shot size and flow rate are controlled by the tip size, fluid pressure and the duration that the valve is open.

The model DSP501N is a suitable 3-way controller for the HPN200. For faster actuation, the 4-way VC1195N valve controller is recommended.



Model

HPN200 High-pressure front closing valve

Accessories

DSP501N 3-way controller 110/220V CE

VC1195N 4-way controller 110/220V CE

Features

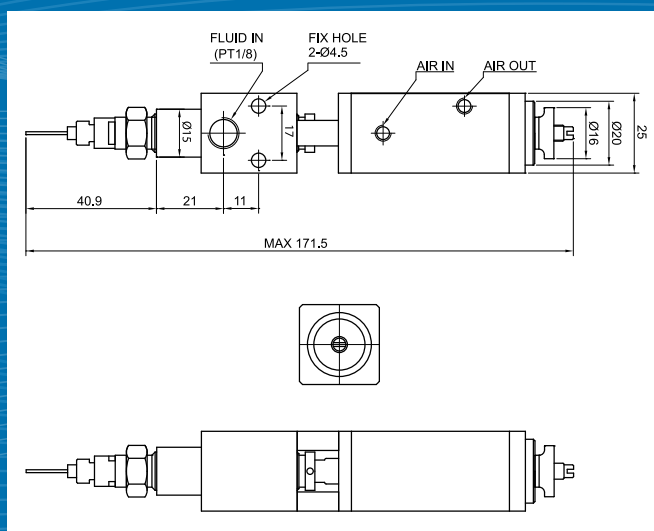
Stainless steel fluid body

High-pressure fluids up to 1,700 PSI

Stroke adjustment to fine tune shot size

Specifications

Operating air pressure:	60-71PSI (4.1-4.9 bar)
Fluid delivery pressure:	Max 120kgf/cm ² (1,700 PSI)
Cycle rate:	120 cycles/min
Minimum shot size:	0.005cc
Maximum shot size:	0.15cc/cycle
Valve type:	Needle
<i>Driving part materials:</i>	
Cylinder body:	AL hard anodized
Cap:	AL hard anodized
Piston:	STS303
Check body:	STS303
<i>Wetted part materials:</i>	
Chamber:	SUS303
CAP, CV body:	AL (hard coated)
Seals:	Acetal Teflon
<i>Connecting Ports:</i>	
Operating air input:	M5xP0.8 , 4mm fitting ø6 OD Air hose
Material inlet:	1/8" NPT
Material outlet:	1/8" NPT, Luer lock
Weight:	350g



800RV

Constant Bead Valve

800RV - High Pressure

The 800RV is a constant-bead, dispense valve. Designed to deliver a uniform bead dimension irrespective of any air pressure build-up at the opening of the valve and at the start of the bead. This neutralizing pressure feature ensures a perfect bead with a clean cut-off of the material at the end of the bead path.

Suitable for medium to high viscosity materials such as silicones, RTV, sealants and greases. The valve is available as model 800RV with a luer lock fluid outlet and as 800RV-N with 1/4" NPT fluid outlet.

4-Way Valve Operation

The 800RV is a two-stage pressure isolation valve. Applying a minimum of 60 psi to the air inlet will cause the valve to open and dispense the material.

The valve is controlled by a 4-way valve controller - VC1195N, which will control the opening and closing of the valve.



Model

- 800RV High-pressure constant-bead valve luer lock
- 800RV-N High-pressure constant-bead valve 1/4" NPT

Accessories

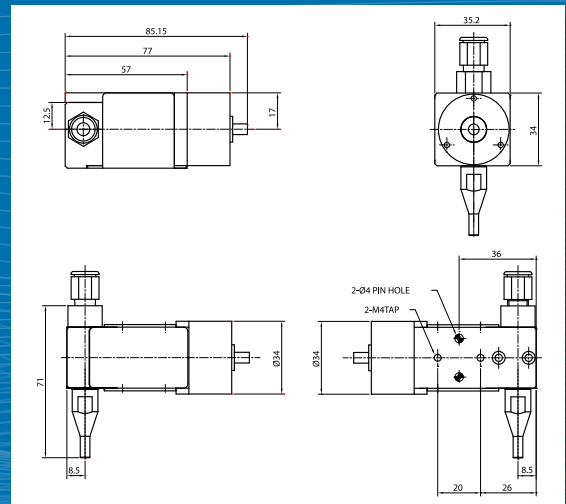
- VC1195N 4-Way valve controller 110/220V CE

Features

- Suitable for high viscosity fluids
- Constant uniform bead dispensing
- Close tolerance

Specifications

Operating air pressure:	60-71 PSI (4.1-4.9 bar)
Fluid delivery pressure:	60kgf/cm ² (853 PSI)
Valve type:	Rotary
<i>Driving part materials:</i>	
Cylinder body, CAP:	AL hard anodized
Material body:	STS303
Wetted part materials:	Packing - Teflon, Urethane
<i>Connecting Ports:</i>	
Operating air input:	M3xP0.8 - ø4 air hose
Exhaust air output:	M3xP0.8 - ø4 air hose
800RV-LL - Material inlet:	1/4" NPT
Material outlet:	Luer lock
800RV-N - Material inlet:	1/4" NPT
Material outlet:	1/4" NPT
Weight:	300g



700RV - high volume - heavy duty

The 700RV is a high-pressure, constant-bead, dispense valve. Designed for heavy duty production environments. Will deliver a uniform bead dimension irrespective of any air pressure build-up at the opening of the valve and at the start of the bead. This neutralizing pressure feature ensures a perfect bead with a clean cut-off of the material at the end of the bead path.

Suitable for high viscosity materials such as silicones, RTV, sealants and greases.



4-Way Valve Operation

The 700RV is a two-stage pressure isolation high viscosity valve. Applying a minimum of 56 psi to the air inlet will cause the valve to open and dispense the material.

The valve is controlled by a 4-way valve controller - VC1195N, which will control the opening and closing of the valve.

Model

700RV High-pressure constant-bead valve

Accessories

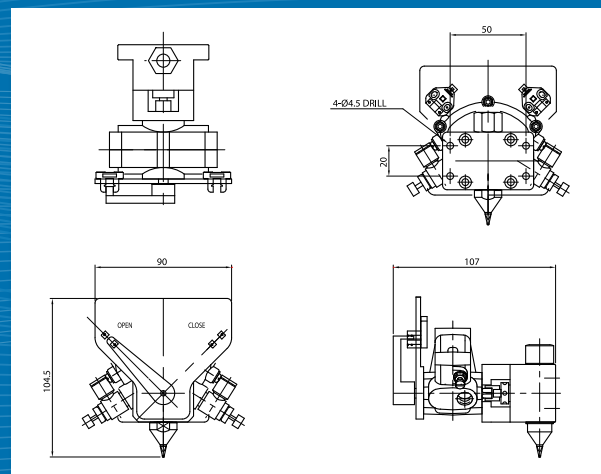
VC1195N 4-Way valve controller 110/220V CE

Features

- High-pressure fluid input up to 900 PSI
- Suitable for very high viscosity fluids
- Close tolerance

Specifications

Operating air pressure:	60-71 PSI (4.1-4.9 bar)
Fluid delivery pressure:	70kgf/cm ² (995 PSI)
Valve type:	Rotary
<i>Driving part materials:</i>	
Cylinder body, CAP:	AL hard anodized
Material body:	STS303
<i>Wetted part materials:</i>	
Packing:	Teflon, Urethane
<i>Connecting Ports:</i>	
Operating air input:	PT 1/8" check valve - ø6 air hose
Exhaust air output:	PT 1/8" check valve - ø6 air hose
Material inlet:	1/4" NPT
Material outlet:	1/4" NPT
Weight:	1300g



MV-0180LF

Mini Valve

Valves

MV-0180LF - Adjustable Micro-shot mini valve

Designed for precision dispensing of all types of fluids in minute to moderate shot sizes. Its lightweight pencil-type grip makes the valve suitable for either hand-held or automatic applications. Shot sizes may be fine tuned by turning the adjustment knob at the top.

3-Way & 4-Way Valve Operation

The valve is opened and closed by applying pressure to the air input port. The valve may be operated between 60 and 90 psi.

Shot size and flow rate are controlled by the tip size, fluid pressure and the duration that the valve is open. Shot sizes may be fine tuned by turning the adjustment knob at the top of the valve.

The MV-0180-PLF contains a plastic fluid body for anaerobic materials.

The model DSP501N is a suitable controller but for faster actuation, the 4-way VC1195N valve controller can be used.



Model

MV-0180LF	Valve, aluminum body
MV-0180SS	Valve, 303 stainless steel body
MV-0180-PLF	Valve, plastic fluid body (suitable for anaerobic fluids)

Accessories

DSP501N	3-way controller 110/220V CE
VC1195N	4-way controller 110/220V CE
561716	pistol grip for valve

Features

- Stainless and plastic fluid body options
- Stroke adjustment to fine-tune shot size
- Comfortable lightweight design
- Positive shut-off
- Microshot deposits

Specifications

Operating air pressure: 60-85 PSI (4.1-5.9 bar)

Material delivery pressure: Max 120 psi

Minimum shot size: Micro dots

Driving part materials:

Body: AL, SS, Plastic

Piston: AL, SS, Plastic

Piston Seal: Teflon

Wetted part materials: AL, SS, Plastic

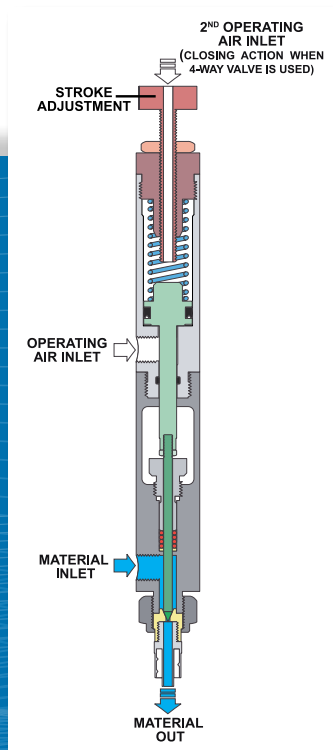
Connecting Ports:

Operating air input: 1/8" NPT

Material inlet: 1/8" NPT

Material outlet: 1/4"-28 / Luer lock

Weight: 172.4g



VBP117 - Volatile Fluids - Adjustable

The VBP117 is designed for positive displacement dispensing and filling of volatile low viscosity fluids, such as battery electrolytes reagents and acids. The VBP117 is also suitable for lubrication applications. Operation is by a frictionless bellows. Teflon materials provide excellent resistance to chemical compositions.

An optional model VBP117-16 is available for heavier viscosity battery gel type fluids. An adjuster controls a volumetric range of between 1 and 7cc.

The model VC1195N is a suitable 4-way valve controller for the VBP117 double acting metering valve.

4-Way Valve Operation

The valve is cycled by applying air pressure to the air ports. Low fluid pressure is required for low to medium viscosity materials.

Shot sizes may be fine tuned by turning an adjustment control on the valve.



Model

- VBP117 Volumetric bellows valve
- VBP117-16 Volumetric bellows valve high viscosity

Accessories

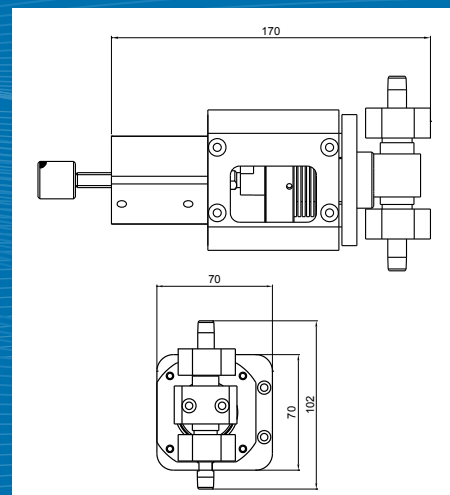
- VC1195N 4-way controller 110/220V CE

Features

- Positive displacement metering
- Integral inlet/outlet check valves
- Stroke adjustment 1cc - 7cc
- Ideal for volatile materials
- Heavy duty performance

Specifications

Operating air pressure:	60-71 PSI (4.1-4.9 bar)
Material delivery pressure:	Frictionless bellows - gravity fed
Minimum shot size:	1.0cc
Maximum shot size:	7.0cc
Measuring type:	Precision cavity
<i>Driving part materials:</i>	
Cylinder Body, CAP:	AL hard anodized
Material body:	STS303, STS16 (special order)
Wetted part materials:	Packing - Teflon
<i>Connecting Ports:</i>	
Operating air input:	M5xP0.8 - ø4 air hose
Material inlet:	1/8" NPT
Material outlet:	1/8" NPT
Weight:	1430g



VDP150

Positive Displacement Valve

Valves

VDP150 - Volumetric Valve - Adjustable, 0.005 - 0.15cc

The VDP150 plunger pump is a pneumatically operated positive displacement valve designed for dispensing constant volume shots of low to medium viscosity materials within 1%. The VDP150 has two integral check valves to control the flow of material.

The model VC1195N is a suitable 4-way valve controller for the VDP150 double acting metering valve.

4-Way Valve Operation

The valve is cycled by applying air pressure to the air ports. For low viscosity materials (less than 5,000cps) no fluid pressure is required, as the material is drawn into the displacement chamber by the plunger. Low fluid pressure is required for medium viscosity materials of 5,000 - 20,000cps.

Shot sizes may be fine tuned by turning an adjustment control at the top of the valve.



Model

VDP150 Positive displacement valve

Accessories

VC1195N 4-way controller 110/220V CE

Features

Positive displacement metering

Integral inlet/outlet check valves

Micrometer stroke adjustment to fine tune shot size

Specifications

Operating air pressure: 60-85 PSI (4.1-5.9 bar)

Delivery pressure:

Spring wire diameter: $\varnothing 0.3\text{mm}$ - Max 0.3kgf/cm²

Spring wire diameter: $\varnothing 0.5\text{mm}$ - Max 1.2kgf/cm²

Cycle rate: 120 cycles/min (full stroke)

Minimum shot size: 0.005cc

Maximum shot size: 0.15cc/cycle

Measuring type: Plunger

Driving part materials:

Cylinder Body, CAP: AL hard anodized (black)

Piston: SUS303

Check body: SUS303, RULON

Wetted part materials:

Chamber, CAP, CV body: SUS303

Plunger: SUS420 (tin coating)

Check valve: PEEK

O-Ring: Kalrez (Perfluoro)

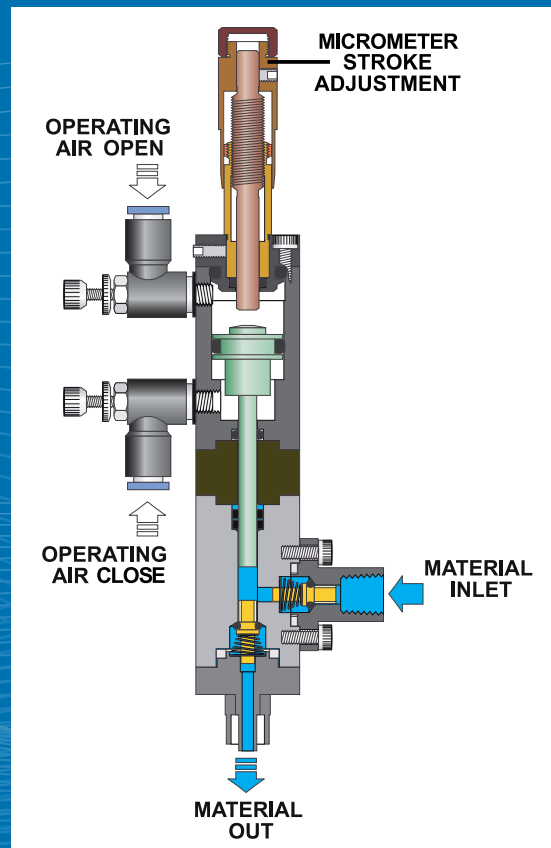
Connecting Ports:

Operating air input: M5xP0.8, 4mm O.D. hose

Material inlet: 1/8" NPT

Material outlet: Luer lock

Weight: 320g



VDP100 - Volumetric Valve - Adjustable, 0.1 - 0.9cc

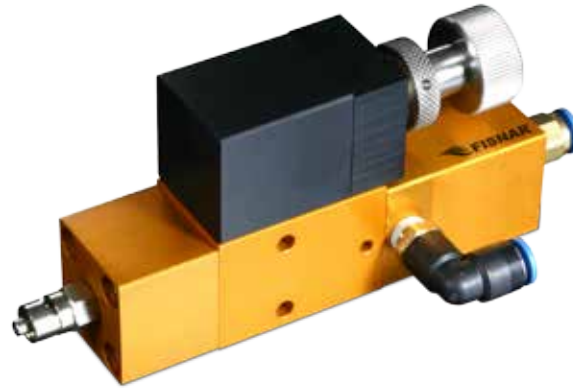
The VDP100 is an adjustable pneumatically operated positive displacement valve designed for dispensing constant volume shots of low to medium viscosity materials within 1%, such as oil and grease. The VDP100 valve has a range up to 0.9cc.

The model VC1195N is a suitable 4-way valve controller for the VDP100 double acting metering valve.

4-Way Valve Operation

The valve is cycled by applying air pressure to the air ports. Low fluid pressure is required for low to medium viscosity materials.

Shot sizes may be fine tuned by turning an adjustment control at the side of the valve.



Model

VDP100 Positive displacement valve

Accessories

VC1195N 4-way controller 110/220V CE

Features

- Positive displacement metering
- Integral inlet/outlet check valves
- Stroke adjustment 0.1cc - 0.9cc

Specifications

Operating air pressure: 60-71 PSI (4.1-4.9 bar)

Material delivery pressure: Max 1,138 PSI

Minimum shot size: 0.1cc

Maximum shot size: 0.9cc

Measuring type: Precision cavity

Driving part materials:

Cylinder Body: AL hard anodized

Cap: AL hard anodized

Wetted part materials: Packing - O-ring (Viton), PS ring

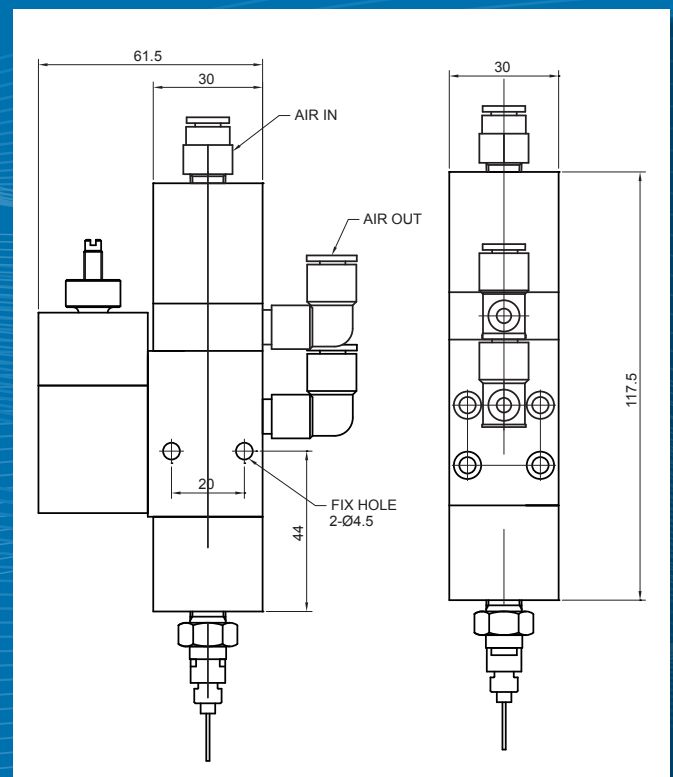
Connecting Ports:

Operating air input: M5xP0.8 - ø6 air hose

Material inlet: 1/8" NPT

Material outlet: 1/8" NPT, Luer lock

Weight: 450g



VDP305

Positive Displacement Valve

Valves

VDP305 - High Pressure - Adjustable, 0.5 - 5cc

The VDP305 is an adjustable pneumatically operated positive displacement valve designed for dispensing constant volume shots of low to high viscosity materials within 1%, such as oil and grease. The VDP305 valve has a range from 0.5cc up to 5cc.

The model VC1195N is a suitable 4-way valve controller for the VDP305 double acting metering valve.

4-Way Valve Operation

The valve is cycled by applying air pressure to the air ports. Low fluid pressure is required for low to medium viscosity materials.

Shot sizes may be fine tuned by turning an adjustment control at the side of the valve.



Model

VDP305 Positive displacement valve

Accessories

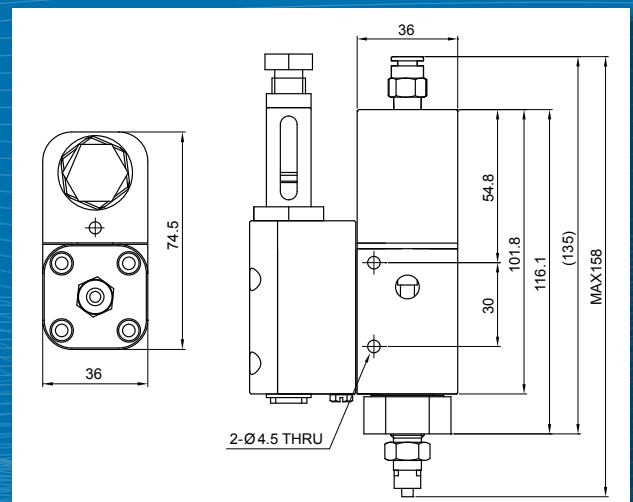
VC1195N 4-way controller 110/220V CE

Features

- Positive displacement metering
- Integral inlet/outlet check valves
- Stroke adjustment 0.5cc - 5cc
- Ideal for high viscosity paste and grease

Specifications

Operating air pressure:	60-71 PSI (4.1-4.9 bar)
Material delivery pressure:	200 kgf/cm Max (2,845 PSI)
Minimum shot size:	0.5cc
Maximum shot size:	5cc
Measuring type:	Precision cavity
<i>Driving part materials:</i>	
Cylinder Body, CAP:	AL hard anodized
Check body:	SM45C
Wetted part materials:	Packing - Teflon, PS ring
<i>Connecting Ports:</i>	
Operating air input:	1/8" NPT - ø6 air hose
Material inlet:	1/8" NPT
Material outlet:	1/4" NPT, Luer lock
Weight:	1000g



RVC900N

Positive Displacement Screw Valve Controller

The RVC900N controls the PDV-1000 series of Archimedes screw valves and the model RV5000DPM disposable cartridge screw valve. The controller is programmable for timed shots from a minimum of 0.01 seconds. Motor speed output is maintained and kept constant, compensating for any change in material viscosity.

An adjustable forward and reverse time/speed delivers a clean cut from the dispensing cycle.

The RVC900N supplies material pressure to the barrel, adjusted via a regulator and pressure gauge. The digital timer can accept time intervals from 0.01 seconds – 99.99 seconds. A reverse timer and speed control sets the amount of controlled suck-back at the end of the dispense cycle.

The controller delivers accurate and repeatable dots and beads for any application, whether automated or manually operated.



Features

- Simple to program
- Eight stored programs
- Auto or manual control
- Constant motor speed
- Adjustable forward and reverse speed
- Adjustable forward and reverse time

Model

RVC900N Rotary Valve Controller 110/220V CE

Specifications

Size:	9.05" x 8.26" x 2.76" (235 x 210 x 70mm)
Time range:	0.01 – 99.99 seconds
Resolution:	0.001 seconds
Voltage:	100 - 240 VAC 50/60Hz
Storage:	8 programs
Remote operation:	External +24VDC
Communication:	I/O
Output pressure:	0 – 60 PSI 4 bar (regulated)
Manual operation:	Foot switch
Display:	128 x 64 pixels
Voltage:	85 - 264 VAC
Weight:	3.63lb (1.65Kg)



RV5000DPM

Positive Displacement Rotary Valve

RV5000DPM - Positive Displacement Rotary Valve - Filled Material

The RV5000DPM valve is designed for continuous operation where cleaning or refurbishment of a valve is not desirable. A disposable Delrin® auger screw is accessed through a hinged doorway and can be quickly replaced in seconds.

The RV5000DPM allows for easy maintenance and is suitable for abrasive materials and two-part fluids. Removing and replacing the auger maintains the valves accuracy and increases the life of the valve by providing less wear-and-tear on the motor. Three versions of the valve are available, 6, 8 and 16 pitch.

The model RV5000DPME is an encoder valve.

Operation

The RV5000DPM has zero dead space within the valve and can deliver accurate and repeatable dots and beads for any application, whether automated or manually operated.

The RV5000DPM is used in conjunction with the RVC900N controller.

The replaceable Archimedes auger screw is manufactured from Delrin®.

Model

RV5000DPM	Rotary valve, disposable material path
RV5000DPME	Rotary valve, disposable material path, encoder model



Replacement Cartridge Sets

Pk. of 10

Pitch	Disposable Cartridge Set	Rotating Luer Collar Set
6	DPM6-10	DPM6R-10
8	DPM8-10	DPM8R-10
16	DPM16-10	DPM16R-10

Features

- Solder paste dispensing
- Microshots 0.010" (0.254mm) 0.000015cc
- Abrasive (filled) materials
- Motor reverse capability
- No dead space - high repeatability
- Replaceable wetted feed path

Specifications

Size:	1.45" x 3.6" x 5.88" (37 x 91 x 149mm)
Minimum shot size:	0.020" (0.508mm)
Max fluid delivery pressure:	30psi (2.1bar)
Motor voltage:	24V
Motor:	6-watt, 400 RPM (no load)
Connecting Ports:	
Fluid inlet:	Female Luer Lock
Fluid outlet:	Male Luer Lock
Wetted part materials:	Delrin®, Nylon, Viton®
Viscosity:	30,000 - 1,300,000cps
Mounting:	1" (25.4mm) body channel or valve bracket
Weight:	0.75lbs (240g)



PDV-1000

Positive Displacement Rotary Valve

PDV-1000 - Positive Displacement Rotary Valve - Filled Material

The PDV-1000 series of precision auger valves is suitable for all medium- to high-viscosity pastes, epoxies, solder pastes and other filled materials. Capable of dispensing a minimum shot size of 0.020" (0.508mm), the PDV-1000 uses an auger servo-motor-driven screw.

Operation

The PDV-1000 has zero dead space within the valve and can deliver accurate and repeatable dots and beads for any application, whether automated or manually operated.

The PDV-1000 is used in conjunction with the RVC900N controller.

The auger screw is manufactured from hardened stainless steel.

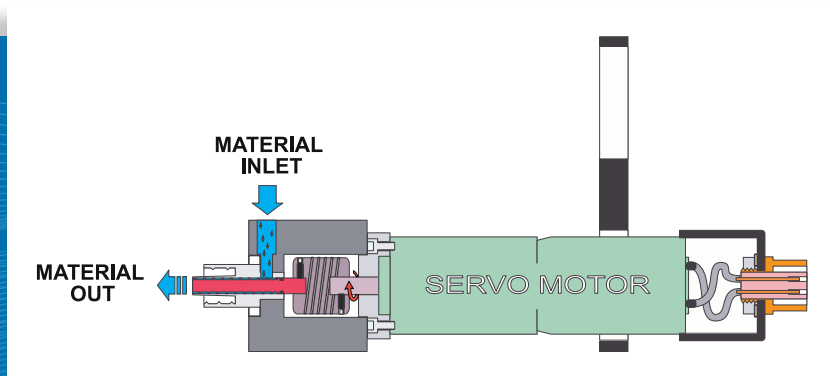


Specifications

Motor voltage:	24V
Motor:	6-watt, 400 RPM (no load)
Auger material:	Stainless steel
Minimum material viscosity:	35,000cps
Minimum shot size (filled materials):	0.020" (0.508mm)
Gear box ratio:	16:2
Weight:	9 oz. (255gm)

Features

- Solder paste dispensing
- Microshots 0.020" (0.508mm) 0.00003cc
- Abrasive materials
- Flexible coupling from motor to screw
- No dead space – high repeatability



Models

Model numbers define the pitch of the screw and the barrel (syringe) size connected to the valve.

Pitch	3cc barrel	5cc barrel	10cc barrel	30cc barrel
8 pitch	PDV-1000-0308	PDV-1000-0508	PDV-1000-1008-LF	PDV-1000-3008-LF
16 pitch	PDV-1000-0316	PDV-1000-0516	PDV-1000-1016-LF	PDV-1000-3016-LF
32 pitch	PDV-1000-0332	PDV-1000-0532	PDV-1000-1032	PDV-1000-3032-LF

SV2000N & SV1000SS

Adjustable No-clog Spray Valves

Fisnar spray valves provide close tolerance spray dispensing of fluids up to 1000 cps, including urethanes, flux and paints. The material is fed from a pressure reservoir. Each valve is actuated by air pressure sequenced by a controller. The operating air pressure opens a needle valve allowing material to flow; a separate air line creates pressure in the air cap, atomizing the fluid.

SV2000N

Specifications

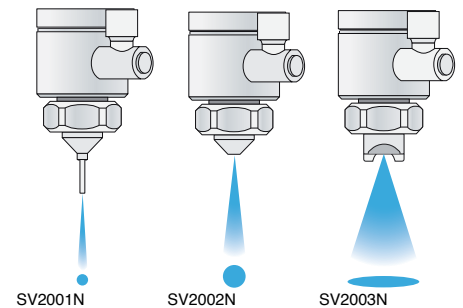
Weight:	8.8 oz (250gm)
Operating air pressure:	60 - 80 psi (4.1 - 5.5 bar)
Atomizing air pressure:	1 - 30 psi (0.1 - 2 bar)
Fluid viscosity range:	up to 1000 cps
Fluid pressure:	1 - 100 psi (0.1 - 7 bar) - depending on material viscosity
Spray angle at 40mm:	SV2001N - 20°, SV2002N - 30°, SV2003N - 37°
Spray pattern:	circular (conical spray)

Sample spray path character

SV2001N:	min. bead: 3mm, overspray: 0.5mm, z distance-off: 3mm, speed: 50mm/sec
SV2002N:	min. bead: 12mm, overspray: 5mm, z distance-off: 10mm, speed: 50mm/sec
SV2003N:	min. bead: 18mm, overspray: 10mm, z distance-off: 20mm, speed: 50mm/sec
Flow rate:	up to 2.4 l/min
Operating frequency:	over 200 cycles/min
Operating air inlet:	M5 * P0.8 thread with push-in fitting for ø4 urethane hose (included)
Atomizing air inlet:	M5 * P0.8 thread with push-in fitting for ø4 urethane hose (included)
Material inlet:	1/8 NPT

Model

SV2001N	Spray valve fine dot & bead
SV2002N	Spray valve medium pattern
SV2003N	Spray valve fan pattern



SV1000SS

Specifications

Weight:	10.25 oz (290 gm)
Operating air pressure:	70 - 100 psi (4.8 - 6.9 bar)
Atomizing air pressure:	1 - 30 psi (0.1 - 2.1 bar)
Fluid viscosity range:	up to 1000 cps
Fluid pressure:	1 - 100 psi (0.1 - 7 bar) <i>material dependent</i>
Nozzle diameter:	0.028" (0.71 mm)
Flow rate:	up to 28 cc/sec
Operating frequency:	over 200 cycles/min
Spray angle:	12°
Spray pattern:	circular (conical spray)
Operating air inlet:	10-32 thread with push-in fitting for 1/4 tube
Atomizing air inlet:	10-32 thread with push-in fitting for 1/4 tube
Material inlet:	1/8 NPT with compression fitting for 1/4 tube



Operation

The valves are adjustable by turning the stroke-adjust control at the rear of the valve; this will tune the spray pattern.

Coating and flow rate are controlled by the fluid pressure, needle stroke, distance from the valve to the work and the duration the valve is open.

Model

SV1000SS	Spray valve fine dot & bead
----------	-----------------------------

Accessories

SVC100-110	Spray valve controller 110V
SVC100-220	Spray valve controller 220V

SVC100

Spray Valve Controller

SVC100 - Spray Valve Controller

The SVC100 is a programmable spray valve controller providing the adjustment controls necessary for a clean spray application. By controlling the relationship (time) between the fluid start signal and the atomizing signal, it is possible to open each independently.

This feature is critical in ensuring that the fluid air line pressure starts momentarily after the atomizing pressure opens and that the atomizing pressure stays on momentarily after the fluid cuts off. This ensures adequate cleaning of the nozzle after the full spray cycle.

The SVC100 is suitable for all SV series spray valves.

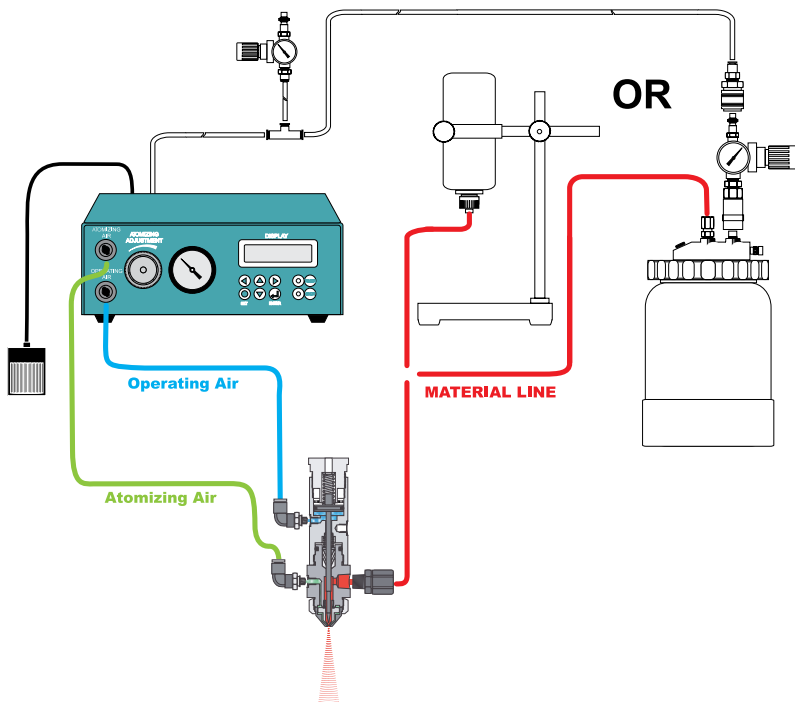


Model

- SVC100-110 Spray valve controller 110V
- SVC100-220 Spray valve controller 220V CE

Valves

- SV1000SS Spray valve stainless steel
- SV2001N Spray valve fine bead
- SV2002N Spray valve medium bead
- SV2003N Spray valve broad bead



Specifications

Size: 9.05" x 7.32" x 3.54"
(22.99 x 18.6 x 8.99 cm)

Power input:

SVC100-110: AC 110V 50/60Hz

SVC100-220: AC 220V 50/60Hz

Dispensing time: 0.001 sec. - 99.99 sec.

Dispensing selection: LCD digital display

Weight: 6 lbs (2.73 kg)

Pail & Can Dispensing

Introduction to *fluidsure*™ Electric Pumps

Bulk unloading and transfer of medium to high viscosity fluid, such as paste, silicone and grease from a pre-filled can or pail is straightforward using the new quiet electric motor *fluidsure*™ pump systems. Pump packages are also available in tandem construction for continuous production (5 gallon and cartridges only).

Simply remove the top of the can and place under the extruder pump. Lower the extruder and follower-plate into the can. Set the air pressure input and upon command the material beneath the follower-plate will be dispensed with minimum waste.

When dispensing manually the fluid is extruder-fed to a high-pressure valve seated within a pistol grip. For improved process control we recommend the model VC1195N controller activated by a trigger switch in the pistol grip. For automatic production the valve is mounted on a Fisnar or similar robot for form-in-place or potting applications.

Features

- Quiet operation
- Eliminates waste and avoids material contamination
- No need to hand transfer material
- Avoids air entrapment



Fluidsure™ electric pump packages include follower-plates and air-rams to assist the flow of material into the pump Inlet.

Electric motor extruder systems are compact and quiet in operation, delivering pump pressure ratios up to 26:1 dependant upon the model.



DA35 Autocan Extruder

Pump system for 1 gallon & 1 quart cans

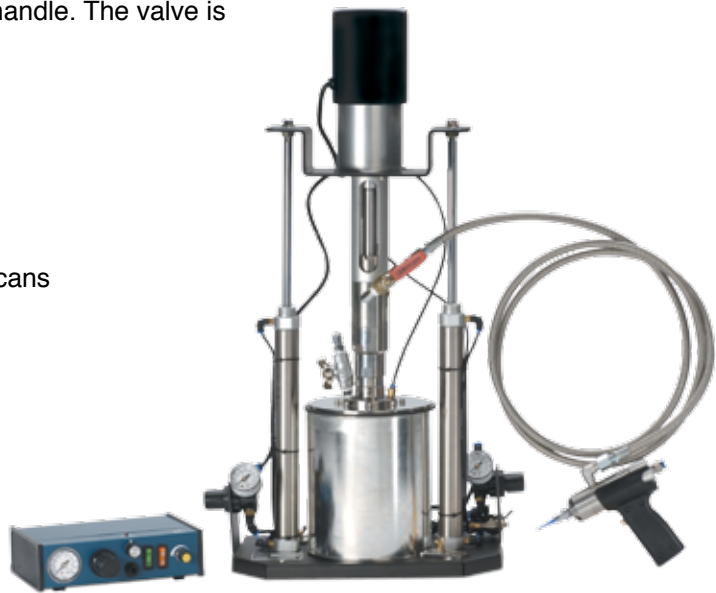
Model DA35 electric motor - extruder pump system

The DA35 extrudes medium to high viscosity material, such as paste, silicone and grease under pressure directly from a pre-filled can. Suitable for automatic and semi-automatic controlled dispensing applications, which require a constant supply of air-free material. By using the DA35, air bubbles and material voids that are caused by handling or decanting viscose material are prevented.

The can is prepared by cutting off its top, the extruder pump body is lifted and the can placed in position. The extruder pump body is fitted with a follower-plate that seals and follows the material as the level drops to wipe the sides of the can clean limiting waste. The fluid is pressure fed by reinforced hoses to a valve, which is either mounted to a robot or operator held with a gun handle. The valve is actuated by a valve controller.

Features

- Material delivered air-free
- Wipe-clean action
- Air rams to assist pumping of materials
- Follower-plate change for 1kg (1qt) and 3kg (1gallon) cans
- Adjustable air ram pressure
- Low noise electric extruder motor
- Simple load mechanism also provides easy cleaning
- Teflon, Viton and PEEK seals for wetted parts
- Avoids waste
- No need to transfer material
- Easy hook up for automatic systems



fluidsure™

Specifications

Size base:	8.46" x 17.32" (215 x 440mm)
Height adjustment:	21.65" - 28.35" (550mm - 720mm)
Weight:	28 lbs (12.73 kg)
Power input for pump sensing:	110-220V 50-60Hz
Air input pressure:	243-700 kPa, 2.4-7.0 bar (35-100 psi)
Maximum output pressure:	6.0 Mpa, 60 bar (850 psi)
Fluid viscosity range:	30,000 - 300,000 cps
Ratio:	8.5:1
Volume per stroke: <i>(dispenses on downstroke only)</i>	5.0cc (0.17 oz.)
Recommended pump speed for continuous operation:	40cpm
Maximum recommended pump speed:	60cpm
Stroke length:	3/4" (19mm)
Max. operating temperature:	50°C
Air inlet size:	1/4 npt (f)
Fluid outlet size:	1/4 npt (f)
Wetted parts:	304 and 17-4 pH Stainless Steel, Teflon, Viton, PEEK
Sound pressure level, 100 psi:	64.12 dB (A) @ 40cpm
Sound power level, 100 psi:	70.84 dB (A) @ 40cpm

Model

DA35	autocan pump - 8.5:1 110/220V
DA35-1kg	follower-plate for 1kg (1qt) can
DA35-3kg	follower-plate for 3kg (1gallon) can

Accessories

VC1195N	valve controller 4-way 110V - 220V
790HP-LF	high pressure valve with suck-back
790HPSS-LF	high pressure valve SS with suck-back
562037	braided hose 8' (2.44 meter) I.D. 8mm
560601	gun handle (pistol grip)
560599	trigger switch assembly
560565	gun handle (pistol grip) w/switch

EP1300N Can Extruder System

Pump for 1kg (1qt) & 3kg (1gal) cans

Model - EP1300N - Air ram assisted pump system

The EP1300N series include machine variations to suit a range of can & pail sizes together with differing material characteristics, such as paste, silicone or grease. Systems are designed for quiet operation when handling medium to high viscosity fluids.

A low-pulse pump design that when used in conjunction with a fluid regulator, makes the system suitable for automatic production dispensing applications. These applications require a constant supply of air-free material. Air bubbles and material voids, caused by handling or decanting high viscosity fluids, are prevented.

The extruder pump body is fitted with a follower-plate that seals and follows the material as the level drops to wipe the sides of the can clean limiting waste. The fluid is pressure fed by reinforced hoses to a valve, which is either mounted to a robot or operator held with a gun handle. The valve is actuated by a valve controller.

The EP1301N is designed for a 1kg (1qt) can of medium to high viscosity fluid. The EP1303N is configured for a 3kg (1 gallon) can of similar viscosity. Both systems are rated at 15:1 and provide a maximum of 996psi regulated material pressure.



Features

- Material delivered air-free
- Wipe-clean action
- Air-rams to assist pumping of materials
- Follower-plate change for: 1kg (1qt), 3kg (1gallon)
- Adjustable ram pressure
- Electrical extruder motor
- Simple load mechanism also provides easy cleaning
- Teflon wetted parts
- Avoids waste
- No need to hand transfer material
- Easy hook up for automatic systems

Specifications

Size base WxDxH:	10.04" x 9.64" x 26.73" (255mm x 245mm x 679mm)
Height adjustment:	17.68" x 26.73" (449mm - 679mm)
Weight:	18.7 lbs (8.5kg)
Power input for pump sensing:	220V 50-60Hz - 20Watts
Air input pressure:	30 -100psi
Maximum output pressure:	996psi - 68.6 bar
Ratio:	15:1
Fluid viscosity range:	10,000 - 600,000 cps
Min. volume per stroke:	0.01cc/shot
Air consumption:	80 l/min
Can size (EP1301N):	1kg - I.D110mm - height 170mm
Can size (EP1303N):	1gal. - I.D140mm - height 200mm
Air inlet / fluid outlet size:	1/4 npt (f)
Wetted parts:	304 and 17-4 pH Stainless Steel, Teflon, Viton, PEEK
Sound pressure level, 100 psi:	64.12 dB (A) @ 40cpm
Sound power level, 100 psi:	70.84 dB (A) @ 40cpm

Model

EP1301N	pump electric 1kg (1qt) can - 15:1 220V
EP1301WP*	follower-plate for 1kg (1qt) can
EP1303N	pump electric 3kg - 1 gallon - 15:1 220V

* Included with EP1301N

Option

EP1300LPS	low level sensor
651780-B1A-B	fluid regulator 3000 psi max carbon steel
651780-A3A-B	fluid regulator 3000 psi stainless steel
EP1415K	fluid regulator install kit includes pressure gauge & fittings

Accessories

VC1195N	valve controller 4-way 110V - 220V
790HP-LF	high pressure valve with suck-back
790HPSS-LF	high pressure valve SS with suck-back
560565	gun handle (pistol grip) w/switch

See Page 57, for high pressure hoses & fittings

EP1305N Pail Extruder

Medium pressure pump for 5 gallon pails

EP1305N electric motor - air-ram assisted 5 gallon pail extruder pump

A low-pulse pump design that when used in conjunction with a fluid regulator, makes the system suitable for automatic production dispensing applications. These applications require a constant supply of air-free material. Air bubbles and material voids, caused by handling or decanting high viscosity fluids, are prevented.

The extruder pump body is fitted with a follower-plate that seals and follows the material as the level drops to wipe the sides of the pail clean limiting waste. The fluid is pressure fed by reinforced hoses to a valve, which is either mounted to a robot or operator held with a gun handle. The valve is actuated by a valve controller.

The EP1305N is designed for a 5 gallon pail of medium to high viscosity fluid. Ideal for silicones and grease. Systems are rated at 15:1 and provide a maximum of 996 psi regulated material pressure.

Features

- Material delivered air-free
- Wipe-clean action
- Air-rams to assist pumping of materials
- Follower-plate 20kg (5 gallons)
- Adjustable air-ram pressure
- Electrical extruder motor
- Simple load mechanism also provides easy cleaning
- Teflon wetted parts
- Avoids waste
- No need to transfer material
- Easy hook up for automatic systems



fluidsure™

Specifications

Size base WxDxH:	19.68" x 15.74" x 47.24" (500mm x 400mm x 1200mm)
Height adjustment:	29.72" x 47.24", (755mm - 1200mm)
Weight:	52.8 lbs (24kg)
Power input for pump sensing:	220V 50-60Hz - 20Watts
Air input pressure:	30 -100psi
Maximum output pressure:	996psi - 68.6 bar
Ratio:	15:1
Fluid viscosity range:	10,000 - 600,000 cps
Min. volume per stroke:	0.01cc/shot
Air consumption:	80 l/min
Max. operating temperature:	50°C
Can size:	20kg (5gal.) - can I.D. 280mm height 360mm
Air inlet size:	1/4 npt (f)
Fluid outlet size:	1/4 npt (f)
Wetted parts:	304 and 17-4 pH Stainless Steel, Teflon, Viton, PEEK
Sound pressure level @ 100 psi:	64.12 dB (A) @ 40cpm
Sound power level @ 100 psi:	70.84 dB (A) @ 40cpm

Model

EP1305N	pump electric 20kg (5gal.) - 15:1 220V
EP1305WP*	follower-plate for 20kg (5gal.) pail

* Included with EP1305N

Option

EP1300LPS	low level sensor
651780-B1A-B	fluid regulator 3000 psi max carbon steel
651780-A3A-B	fluid regulator 3000 psi stainless steel
EP1415K	fluid regulator install kit includes pressure gauge & fittings

Accessories

VC1195N	valve controller 4-way 110V - 220V
790HP-LF	high pressure valve with suck-back
790HPSS-LF	high pressure valve SS with suck-back
560565	gun handle (pistol grip) w/switch

See Page 57, for high pressure hoses & fittings

EP1306N Can Extruder System

High pressure pump for 5 gallon pails

EP1306N electric motor - high pressure automatic air-ram assisted 5 gallon pail extrusion system

A high-ratio, high-pressure 5 gallon system, suitable for most pastes, silicones and grease type fluids. The system integrates a low-pulse pump design that when used in conjunction with a fluid regulator allows the system to be used in robotic controlled dispensing applications.

The extruder pump body is fitted with a follower-plate that seals and follows the material as the level drops to wipe the sides of the pail clean limiting waste. The fluid is pressure-fed by reinforced hoses to a valve, which is either mounted to a robot or operator held with a gun handle. The valve is actuated by a valve controller.

The EP1306N is designed for a 5 gallon pail of high viscosity fluid.



Features

- Material delivered air-free
- Wipe-clean action
- Air-rams to assist pumping of materials
- Follower-plate 20kg (5 gallons)
- High-pressure regulation
- Adjustable ram pressure
- Electrical extruder motor
- Simple load mechanism also provides easy cleaning
- Teflon wetted parts
- Avoids waste
- No need to hand transfer material
- Easy hook up for automatic systems

Specifications

Size base WxDxH:	19.68" x 15.74" x 62.20" (500mm x 400mm x 1580mm)
Height adjustment:	40.94" x 62.20" (1040mm - 1580mm)
Weight:	88 lbs (40kg)
Power input for pump sensing:	220V 50-60Hz - 20Watts
Air input pressure:	30 -100psi
Maximum output pressure:	2,133psi - 147 bar
Ratio:	26:1
Fluid viscosity range:	High viscosity
Min. volume per stroke:	0.01cc/shot
Air consumption:	80 l/min
Pail size:	5 gallon 20kg - can I.D. 280mm height 360mm
Air inlet size:	1/4 npt (f)
Fluid outlet size:	1/4 npt (f)
Wetted parts:	304 and 17-4 pH Stainless Steel, Teflon, Viton, PEEK
Sound pressure level, 100 psi:	64.12 dB (A) @ 40cpm
Sound power level, 100 psi:	70.84 dB (A) @ 40cpm

Model

EP1306N	pump electric 20kg (5gal) - 26:1 220V
EP1306WP*	follower-plate for 20kg (5gal) can

* Included with EP1306N

Option

EP1300LPS	low level sensor
651780-B1A-B	fluid regulator 3000 psi max carbon steel
651780-A3A-B	fluid regulator 3000 psi stainless steel
EP1415K	fluid regulator install kit includes pressure gauge & fittings

Accessories

VC1195N	valve controller 4-way 110V - 220V
790HP-LF	high pressure valve with suck-back
790HPSS-LF	high pressure valve SS with suck-back
560565	gun handle (pistol grip) w/switch

See Page 57, for high pressure hoses & fittings

EP1310C Cartridge Pump

1/10 gal. - 310ml. cartridge pump

fluidsure™

Model EP1310C electric motor - single cartridge pump extrusion system

A powerful medium ratio system for controlled fluid transfer from 1/10 gallon (310ml) plastic cartridges. Suitable for silicone type fluids. The system integrates a low-pulse pump design that can be used with a manual hand valve or connected to an automatic production robot for controlled dispensing applications.

The EP1310C is designed to easily transfer material for controlled dispensing via a high pressure valve. The suitable viscosity range is 5,000cps - 600,000cps. Rated at 15:1 the system provides a maximum of 996 psi regulated material pressure. The cartridge is contained with a metal jacketed cylinder.

Features

- Material delivered air-free
- Wipe-clean action
- High-pressure regulation
- Pressure piston assist
- Adjustable piston pressure
- Adjustable air ram pressure
- Electric extruder motor
- Simple load mechanism also provides easy cleaning
- Teflon wetted parts
- Avoids waste
- No need to transfer material
- Easy hook up for automatic systems



Specifications

Size base WxDxH:	8.86" x 6.69" x 25.55" (225mm x 170mm x 649mm)
Weight:	33 lbs (15 kg)
Power input for pump sensing:	220V 50-60Hz - 20Watts
Air input pressure:	30 -100psi
Maximum output pressure:	995psi - 68.6 bar
Ratio:	15:1
Fluid viscosity range:	10,000 - 600,000 cps
Min. volume per stroke:	0.01cc/shot
Air consumption:	80 t/min
Max. operating temperature:	50°C
Cartridge size:	1/10th gallon - 300ml - 340ml
Air inlet size:	1/4 npt (f)
Fluid outlet size:	1/4 npt (f)
Wetted parts:	304 and 17-4 pH Stainless Steel, Teflon, Viton, PEEK
Sound pressure level, 100 psi:	64.12 dB (A) @ 40cpm
Sound power level, 100 psi:	70.84 dB (A) @ 40cpm

Model

EP1310C Cartridge pump - 15:1 220V

Accessories

VC1195N	valve controller 4-way 110V - 220V
790HP-LF	high pressure valve with suck-back
790HPSS-LF	high pressure valve SS with suck-back
560565	gun handle (pistol grip) w/switch

See Page 57, for high pressure hoses & fittings

EP1320C Dual Cartridge Pump

1/10 gal. - 310ml. double cartridge pump

EP1320C electric motor - double cartridge pump extrusion system

A powerful medium-ratio system for controlled fluid transfer from 1/10 gallon (310ml) plastic cartridges. Suitable for silicone type fluids. The system integrates a dual (A + B) tandem cartridge arrangement for continuous-flow management. A low-pulse pump design allows automatic control of dispensing applications.



The EP1320C tandem cartridge pump is designed to easily transfer material for controlled dispensing via a high pressure valve. The suitable viscosity range is 10,000cps - 600,000cps. Rated at 15:1 the system provides a maximum of 995 psi regulated material pressure. The A & B cartridge management automatically switches from either A to B or B to A when the cartridge is exhausted. Cartridges are contained in metal jacketed cylinders.

Features

- Material delivered air-free
- Wipe-clean action
- High-pressure regulation
- Pressure piston assist
- Adjustable piston pressure
- Electrical extruder motor
- Simple load mechanism also provides easy cleaning
- Teflon wetted parts
- Avoids waste
- No need to transfer material
- Easy hook up for automatic systems

Specifications

Size base WxDxH:	10.71" x 11.34" x 25.55" (272mm x 288mm x 649mm)
Weight:	39.6 lbs (18kg)
Power input for pump sensing:	220V 50-60Hz - 20Watts
Air input pressure:	30 -100psi
Maximum output pressure:	995psi - 68.6 bar
Ratio:	15:1
Fluid viscosity range:	10,000 - 600,000 cps
Min. volume per stroke:	0.01cc/shot
Air consumption:	80 l/min
Max. operating temperature:	50°C
Cartridge size:	1/10th gallon - 300ml - 340ml
Air inlet size:	1/4 npt (f)
Fluid outlet size:	1/4 npt (f)
Wetted parts:	304 and 17-4 pH Stainless Steel, Teflon, Viton, PEEK
Sound pressure level @ 100 psi:	64.12 dB (A) @ 40cpm
Sound power level @ 100 psi:	70.84 dB (A) @ 40cpm

Model

EP1320C Cartridge dual pump - 15:1 220V

Accessories

VC1195N	valve controller 4-way 110V - 220V
790HP-LF	high pressure valve with suck-back
790HPSS-LF	high pressure valve SS with suck-back
560565	gun handle (pistol grip) w/switch

See Page 57, for high pressure hoses & fittings

High Pressure Fluid Hoses

Features

- PTFE Teflon® (Dupont T-62) Moisture Lock
- Non-absorbent - will not impart taste or odor
- Non-contaminating - easy to clean
- High/Low pressure rated - no deterioration over time
- Smooth liner - no entrapment issues
- Prevents build-up of deposits
- Chemically resistant - handles a variety of fluids
- Low friction



Specifications

- Construction: Moisture lock DuPont T-62 smooth bore Teflon® lined (0.040 wall thickness)
- Outer wall: Stainless steel braided assembly
- Working pressure: 0.25" 3,500 lbs, 0.375" 2,500 lbs, 0.50" 2,000 lbs
- Burst pressure: 0.25" 12,800 lbs, 0.375" 10,000 lbs, 0.50" 8,000 lbs
- Fittings: Easy-fit hose assembly - straight female with male NPT fitting both ends
- Temperature: -100°F (-73°C) to 500°F (260°C)

Approvals

- USP Class VI
- FDA 21CFR177.1550
- USDA
- 3A SANITARY STANDARDS

Kit includes hose & male NPT fittings

Kit Part Number	Burst Pressure	Hose Length	Hose I.D.	NPT Fittings
H63814M	10,000 lbs	6ft (182.88cm)	0.375" (9.52mm)	1/4" NPT Male Both Ends
H63838M	10,000 lbs	6ft (182.88cm)	0.375" (9.52mm)	3/8" NPT Male Both Ends
H83814M	10,000 lbs	8ft (243.84cm)	0.375" (9.52mm)	1/4" NPT Male Both Ends
H83838M	10,000 lbs	8ft (243.84cm)	0.375" (9.52mm)	3/8" NPT Male Both Ends
H103838M	10,000 lbs	10ft (304.80cm)	0.375" (9.52mm)	3/8" NPT Male Both Ends
H153838M	8,000 lbs	15ft (457.20cm)	0.375" (9.52mm)	3/8" NPT Male Both Ends

Pump, Regulator & Valve Fittings

Part Number	Type	Male (to pump)	Female (to hose)	Material
AP1214N	Bushing	1/2" NPTM	1/4" NPTF	Brass
AP1014N	Bushing	1" NPTM	1/4" NPTF	Brass
AP1238N	Bushing	1/2" NPTM	3/8" NPTF	Brass
AP1038N	Bushing	1" NPTM	3/8" NPTF	Brass
AP1012N	Bushing	1" NPTM	1/2" NPTF	Brass
AP11438N	Bushing	1 1/4" NPTM	3/8" NPTF	Stainless Steel
AP11412N	Bushing	1 1/4" NPTM	1/2" NPTF	Stainless Steel
AP3814N	Bushing	3/8" NPTM (To Reg)	1/4" NPTF	Brass
AP4266N	Straight Swivel	3/8" NPTM (To Reg.)	3/8" NPTF	Stainless Steel
AP636086-B	Z 360° Swivel	1/4" NPTM (To Valve)	1/4" NPTF (To Valve)	Stainless Steel
AP75364	Straight Swivel	1/4" NPTM (To Valve)	1/4" NPTF (To Valve)	Stainless Steel
AP4246N	Straight Swivel	1/4" NPTM (To Valve)	3/8" NPTF (To Valve)	Stainless Steel



Fisnar
Global Headquarters

Tel: (973) 646-5044 E-mail: info@fisnar.com
www.fisnar.com

Fisnar Asia
Asia Headquarters

Tel: 852-2389-2827 E-mail: info@fisnar.com.hk
www.fisnar.com - www.fisnar.com.cn

Fisnar Europe
European Headquarters

Tel: +00 44 (0) 1355 577 222 E-mail: infoeurope@fisnar.com
www.fisnareurope.co.uk