

**AUTO TAPE DISPENSER**

# **Xcut-150**

**Straight Cut Edge,  
Designed for low noise  
and less vibration**



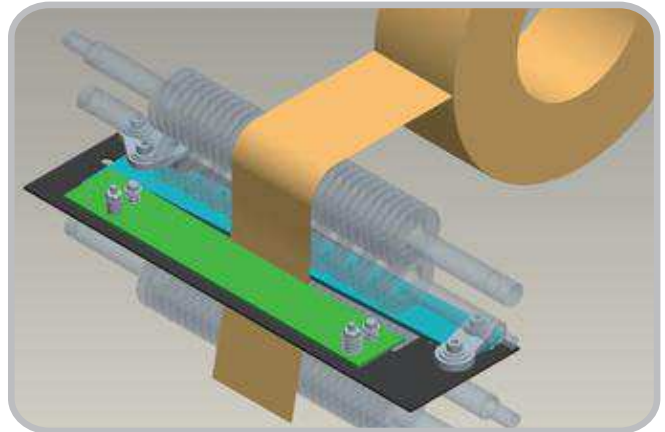
**Yaesu**

**AUTO TAPE DISPENSER**

# XEK-150

## Features

- Memory Function  
(3 digital-6 memories, 4 digital-1 memory)
- Preset Counter, Loop Function
- Memorize the number of the present cutting pieces
- Auto feeding that cutting tape is ready to remove after taking the piece of tape)



When 4 digital indicates

## OPTION



Exclusive footstool

## Specification

Cutting Length	30mm ~ 9999mm(When in manual use) · 60mm ~ 9999mm(When in auto use)		
Tape Width	20mm ~ 150mm		
Max. Outside Dia. of Roll	200mm		
Tape Thickness	0.05mm ~ 0.3mm		
Usable Tapes	Craft, PP, Vinyl, Filament, Glass Cloth, Double-Sided, Strapping, Protective Film, Aluminum Foil, and Others		
Feeding Speed	72pcs/min.(In the case of cutting 100mm with craft tape)		
Motor	Feeding : DC Brushless Motor 30W	Cutting : DC Brushless Motor 15W	
Accessories	Bobbin · Power Cord		
Rated Voltage	AC 100 V~240 V	50Hz/60Hz	Fuse2A(AC inlet Build-in)
Dimension	292mm(W) x 276mm(H) x 239mm(D)		
Weight	9.7 kg		

- \*Some of usable tapes may not cut as depends on the material and tape brand.
- \*Cutting length may be beyond cutting tolerance as depends on the type of tapes.
- \*Specifications are subject to change without prior notice.